

Fixture Type:

A lightweight, short throw, all purpose lighting device, the 6" fresnel produces a soft edged beam which varies in diameter from 4.2 feet to 21 feet at a throw distance of 15 feet.

The 65Q and 165Q are designed for operation with the long life, high intensity tungsten halogen lamps. The luminaire is used in theatre for acting area lighting where beam shaping is not required or in television studios for key and back lighting. Other uses include nightclubs, museums and show windows where soft edge controlled lighting is required.

Specifications subject to change without notice



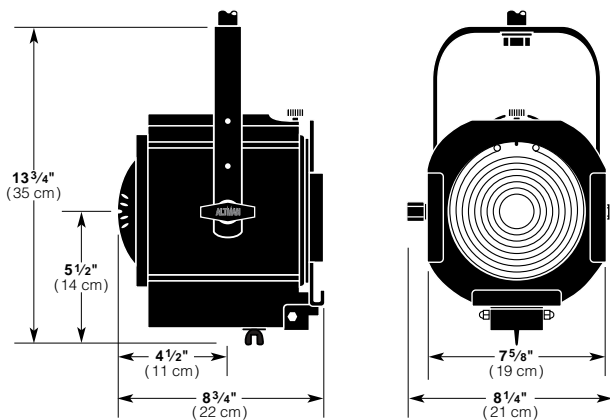
165Q



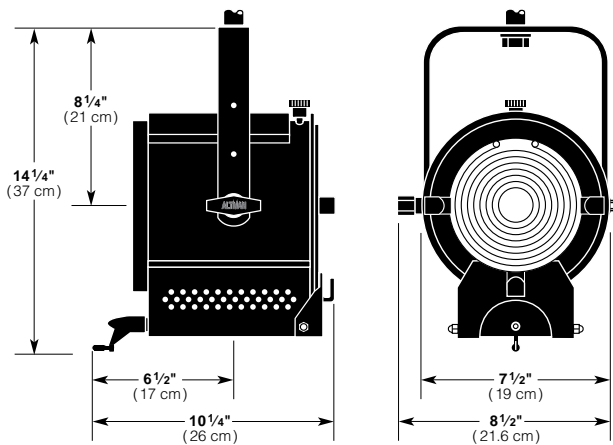
65Q

750 WATT
6" FRESNEL
Features

- Sheet steel welded construction
- Specular spherical Alzak aluminum reflector
- Spot to flood focus adjustment
- Screw feed focus (165Q only)
- 6" Heat resisting Fresnel lens
- Medium prefocus socket
- Plated steel color frame included
- Three 36" Teflon lead wires
- Up to 25 feet of Hi-Temp rubber cable optional
- U.L., c.U.L. and CE listed for 750 watts
- Made in the USA



65Q



165Q

Specifications

Housing: Sheet steel construction.

Materials: Construction employs all corrosion resistant materials and hardware.

Yoke: Rigid flat steel with clearance hole for 1/2" bolt.

Reflector: Alzak aluminum, spherical design.

Lens: Pyrex fresnel lens with stippling on flat surface.

Socket: Altman medium prefocus, tool free relamping.

Rating: 120/240 volts AC/DC operation, 6.3/3.1 amps, 750 watts maximum.

Cable: 36" teflon leads encased in black fiberglass sleeving. Hi-Temp rubber cable up to 25' optional.

Access Door: Hinged, can be opened without use of tools, allowing access to lens, reflector and lamp.

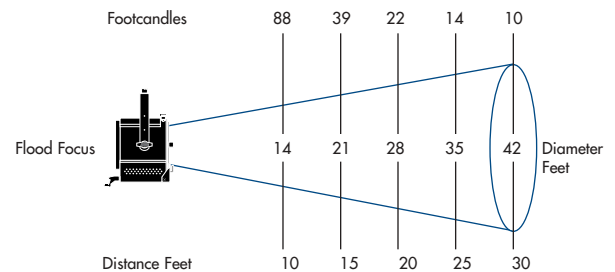
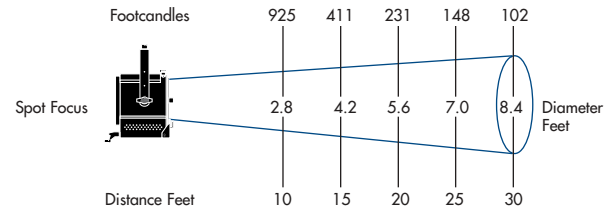
Focusing: Adjustable with locking thumb screw on bottom surface with the 65Q. Adjustable with easy operated rear mounted screw feed with the 165Q.

Accessories: Accepts standard 7 1/2" accessories.

Finish: Black epoxy sandtex, electrostatically applied.

Weight: Approx; 9.0 lbs. (4.05 kg.) for the 65Q.
Approx; 10.5 lbs. (4.7 kg.) for the 165Q.

Photometric Data for BTN Lamp



ACCESSORIES Supplied with Luminaires	
6-CF	Color Frame

6" FRESNEL PERFORMANCE CHART WITH BTN LAMP

Fixture Type	Focus	Candlepower (Candela)	Beam Angle (Degrees)	Field Angle (Degrees)	Efficiency (%)
65Q & 165Q	Spot	92,500	8.8°	16°	14.8
	Flood	8,800	59.0°	70°	47.3

ADDITIONAL ACCESSORIES	
6-CFB	Black Color Frame
510	Malleable Iron Pipe Clamp
SC	Safety Cable with Spring Clip
6-BD-4	4-Way Barn Doors
6-SN	Snoot
195A-6	Color Wheel
404-6	Motorized Color Wheel

LAMP DATA

Fixture Series	Watts	ANSI Code	Manufacturer Lamp Code	Color Temp (°K)	Rated Life (Hours)	Rated Lumens	Correction Factor
6" Fresnel	500	BTL	Q500 T6/CL/P	3050	500	11,000	.65
	500	BTM		3200	100	13,000	.76
	750	BTN	Q750 T7/CL/2P	3050	500	17,000	1.00
	750	BTP	Q750 T7/4CL/2P	3200	200	20,000	1.20