

LEKO LITE

Fixed and Variable Beam Angle Luminaires

Engineered with the needs of designers everywhere in mind, LEKO LITE Luminaires offer a wide range of rugged and dependable lights for the entertainment industry. These luminaires provide exceptional performance at an affordable price.

LEKO LITE luminaires offer excellent light output, superb distribution and the smoothest soft edge while maintaining beam size for sharp gobo, edge and shutter focus.

LEKO LITE luminaires are affordable, safe, and easy to use general-purpose stage lights. Whether your needs are for a small theatre, studio, display lighting, church, school, or a Broadway production, LEKO LITE luminaires provide designers with the tools needed to create the perfect look.

LEKO LITE lens and lamp housings are interchangeable with our previous SL ranges.



LEKO LITE Fixed Beam Angle Luminaires



LEKO LITE Variable Beam Angle Luminaires

Features

- Precision optical system with high-light output
- Multi-faceted dichroic glass reflector for maximum output performance
- Cool-beam operation for extended gobo, shutter, and gel life
- X, Y, and Z axis beam peak/flat field adjustment for optimum performance
- Available in six fixed beam or two variable beam angle models
- Fixed beam models available in 5°, 10°, 19°, 26°, 36°, and 50° beam angles
- Variable beam models available in 15° to 32° and 23° to 50°
- Easy lamp change, using Philips FastFit technology, with out the use of tools
- Lamp options - 575W, 750W (115V) or 800W (240V) Philips Hi-Brite, FastFit lamps
- Consumes significantly less energy while providing more light than most conventional 1000W/1200W spotlights
- Easy access gobo/iris holders with two slots for gobo and iris
- Wide gate will fit 2 gobo holders, including glass gobo holder, drop-in iris or rotating gobo holder
- Three plane, four independent beam shutters for triangular shutter cuts
- Smooth 360° body rotation for quick and easy gobo and shutter positioning
- Tilt adjustment and positioning without the need for tools
- Large rear handle for easy positioning
- Quick and easy tool-less standard or short yoking.
- 120V or 240V operation
- ETL/cETL Listed and CE Marked

PHILIPS
Strand Lighting

SPECIFICATION SUBMITTAL

CONSULTANT: <input type="text"/>	PROJECT NAME: <input type="text"/>	MODEL NUMBER QUANTITY: <input type="text"/> <input type="text"/> <input type="text"/> <input type="text"/> <input type="text"/> <input type="text"/>
DATE: <input type="text"/>	PROJECT NUMBER: <input type="text"/>	APPROVED BY: <input type="text"/>

360-Degree Body Rotation



All LEKO LITE luminaires feature 360-degree body rotation to allow for any template or shutter angle. An easy-to-use lock of mechanism provides secure adjustment for any position.

Quick and Easy Lamp Change



Changing a lamp has never been easier. Designed using Philips FastFit lamp technology, lamps can be changed with one hand while on a ladder. Our new precision lamps align precisely. LEKO LITE luminaires have a smooth, easy-to-use field adjustment mechanism to easily adjust for peak and flat fields.

Featuring Philips FastFit Lamps



Philips FastFit lamps deliver superior light output and ease of use. The dichroic glass reflectors in LEKO LITE luminaires are optimized for the unique compact filament design for optimum performance. The unique twist lock socket design makes lamp changes easier than ever.

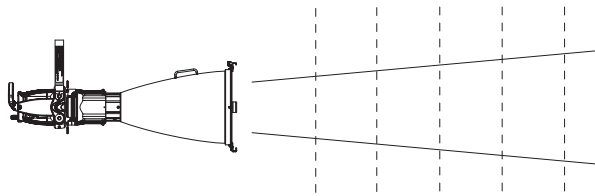


Fixed Beam Angle LEKO LITE Luminaire



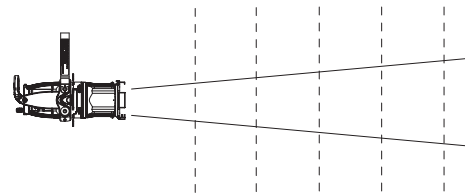
Variable Beam Angle LEKO LITE Luminaire

Photometric Data (Fixed Beam Angle Luminaires)



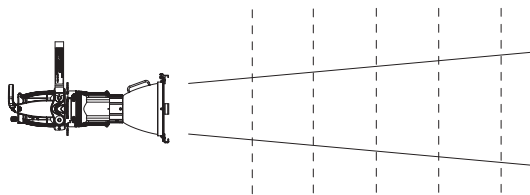
11500C, 5° Fixed Angle Beam

Distance (m)	5	10	15	20	25
Distance (ft)	16	32	48	64	80
Beam Ø (m)	0.4	0.9	1.3	1.7	2.2
Beam Ø (ft - in)	1 - 3	3 - 0	4 - 0	5 - 6	7 - 0
Illum (lux) 575W (LL)	37857	9464	4206	2366	1514
Illum (fc) 575W (LL)	3518	880	391	220	141
Illum (lux) 575W	50352	12588	5595	3147	2014
Illum (fc) 575W	4680	1170	520	292	187
Illum (lux) 750W	55972	13993	6219	3498	2239
Illum (fc) 750W	5202	1300	578	325	208
Illum (lux) 800W	42502	10625	4722	2656	1700
Illum (fc) 800W	3950	987	439	247	158



11520C, 19° Fixed Angle Beam

Distance (m)	5	10	15	20	25
Distance (ft)	16	32	48	64	80
Beam Ø (m)	1.7	3.4	5.0	6.7	8.4
Beam Ø (ft - in)	5 - 6	11 - 0	16 - 0	22 - 0	27 - 6
Illum (lux) 575W (LL)	5263	1316	585	329	211
Illum (fc) 575W (LL)	489	122	54	31	20
Illum (lux) 575W	7467	1867	830	467	299
Illum (fc) 575W	694	174	77	43	28
Illum (lux) 750W	8824	2206	980	552	353
Illum (fc) 750W	820	205	91	51	33
Illum (lux) 800W	7060	1765	784	441	282
Illum (fc) 800W	656	164	73	41	26



11510C, 10° Fixed Angle Beam

Distance (m)	5	10	15	20	25
Distance (ft)	16	32	48	64	80
Beam Ø (m)	0.9	1.8	2.6	3.5	4.4
Beam Ø (ft - in)	3 - 0	5 - 10	8 - 6	11 - 6	14 - 6
Illum (lux) 575W (LL)	13186	3297	1465	824	527
Illum (fc) 575W (LL)	1225	306	136	77	49
Illum (lux) 575W	18893	4723	2099	1181	756
Illum (fc) 575W	1756	439	195	110	70
Illum (lux) 750W	20328	5082	2259	1271	813
Illum (fc) 750W	1889	472	210	118	76
Illum (lux) 800W	17271	4318	1919	1079	691
Illum (fc) 800W	1605	401	178	100	64

11530C, 26° Fixed Angle Beam

Distance (m)	5	10	15	20	25
Distance (ft)	16	32	48	64	80
Beam Ø (m)	2.3	4.6	6.9	9.2	11.6
Beam Ø (ft - in)	7 - 6	15 - 0	23 - 0	30 - 0	38 - 0
Illum (lux) 575W (LL)	4369	1092	485	273	175
Illum (fc) 575W (LL)	406	102	45	25	16
Illum (lux) 575W	5710	1428	634	357	228
Illum (fc) 575W	531	133	59	33	21
Illum (lux) 750W	7366	1841	818	460	295
Illum (fc) 750W	685	171	76	43	27
Illum (lux) 800W	6572	1643	730	411	263
Illum (fc) 800W	611	153	68	38	24

11540C, 36° Fixed Angle Beam

Distance (m)	5	10	15	20	25
Distance (ft)	16	32	48	64	80
Beam Ø (m)	3.3	6.5	9.8	13.0	16.3
Beam Ø (ft - in)	11 - 0	21 - 0	32 - 0	42 - 6	53 - 6
Illum (lux) 575W (LL)	2304	576	256	144	92
Illum (fc) 575W (LL)	214	54	24	13	9
Illum (lux) 575W	2910	728	323	182	116
Illum (fc) 575W	270	68	30	17	11
Illum (lux) 750W	3832	958	426	240	153
Illum (fc) 750W	356	89	40	22	14
Illum (lux) 800W	3491	873	388	218	140
Illum (fc) 800W	324	81	36	20	13

11550C, 50° Fixed Angle Beam

Distance (m)	5	10	15	20	25
Beam Ø (m)	4.7	9.3	14.0	18.7	23.3
Beam Ø (ft - in)	15 - 6	30 - 6	46 - 0	61 - 0	76 - 6
Illum (lux) 575W (LL)	1062	265	118	66	42
Illum (fc) 575W (LL)	99	25	11	6	4
Illum (lux) 575W	1343	336	149	84	54
Illum (fc) 575W	125	31	14	8	5
Illum (lux) 750W	1671	418	186	104	67
Illum (fc) 750W	155	39	17	10	6
Illum (lux) 800W	1472	368	164	92	59
Illum (fc) 800W	137	34	15	9	5

For beam diameter at any distance for the following fixtures:

- 11500C, 5° Fixed Beam Angle - multiply 0.087 x distance
- 11510C, 10° Fixed Beam Angle - multiply 0.175 x distance
- 11520C, 19° Fixed Beam Angle - multiply 0.335 x distance
- 11530C, 26° Fixed Beam Angle - multiply 0.462 x distance
- 11540C, 36° Fixed Beam Angle - multiply 0.650 x distance
- 11550C, 50° Fixed Beam Angle - multiply 0.933 x distance

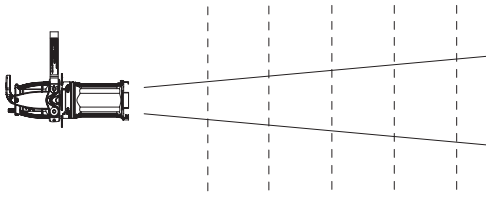
Beam Diameter Example Calculations:

- A 36° Fixed Beam Angle at 35-foot throw distance is 35 feet x 0.650 = 22 feet, 9 inch beam diameter
- A 36° Fixed Beam Angle at 10-meter throw distance is 10 meters x 0.650 = 6.50 meter beam diameter

Note:

(LL) designates 575W Long Life lamp.
Some measurements, data rounded for clarity.

Photometric Data (Variable Beam Angle Luminaires)



11430C, 15° to 32° Variable Angle Beam at 15°

Distance (m)	5	10	15	20	25
Distance (ft)	16	32	48	64	80
Beam Ø (m)	1.3	2.6	3.9	5.3	6.6
Beam Ø (ft - in)	4 - 3	8 - 6	12 - 9	17 - 6	21 - 6
Illum (lux) 575W (LL)	6376	1594	708	399	255
Illum (fc) 575W (LL)	593	148	66	37	24
Illum (lux) 575W	8522	2131	947	533	341
Illum (fc) 575W	792	198	88	50	32
Illum (lux) 750W	9099	2275	1011	569	364
Illum (fc) 750W	846	211	94	53	34
Illum (lux) 800W	7831	1958	870	489	313
Illum (fc) 800W	728	182	81	45	29

11430C, 15° to 32° Variable Angle Beam at 26°

Distance (m)	5	10	15	20	25
Distance (ft)	16	32	48	64	80
Beam Ø (m)	2.3	4.6	6.9	9.2	11.6
Beam Ø (ft - in)	7 - 6	15 - 0	22 - 6	30 - 0	38 - 0
Illum (lux) 575W (LL)	4215	1054	468	263	169
Illum (fc) 575W (LL)	392	98	44	24	16
Illum (lux) 575W	5541	1385	616	346	222
Illum (fc) 575W	515	129	57	32	21
Illum (lux) 750W	6808	1702	756	426	272
Illum (fc) 750W	633	158	70	40	25
Illum (lux) 800W	5997	1499	666	375	240
Illum (fc) 800W	557	139	62	35	22

11430C, 15° to 32° Variable Angle Beam at 32°

Distance (m)	5	10	15	20	25
Distance (ft)	16	32	48	64	80
Beam Ø (m)	2.9	5.7	8.6	11.5	14.3
Beam Ø (ft - in)	9 - 6	18 - 6	28 - 0	37 - 6	47 - 0
Illum (lux) 575W (LL)	2345	586	261	147	94
Illum (fc) 575W (LL)	218	54	24	14	9
Illum (lux) 575W	3533	883	393	221	141
Illum (fc) 575W	328	82	37	21	13
Illum (lux) 750W	4506	1127	501	282	180
Illum (fc) 750W	419	105	47	26	17
Illum (lux) 800W	3937	984	437	246	157
Illum (fc) 800W	266	91	41	23	15

For beam diameter at any distance for the 11430 fixture:

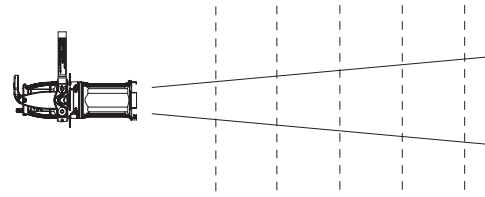
- At 15° Beam Angle - multiply 0.263 x distance
- At 26° Beam Angle - multiply 0.462 x distance
- At 32° Beam Angle - multiply 0.573 x distance

Beam Diameter Example Calculations:

- A 26° Beam Angle at 35-foot throw distance is 35 feet x 0.462 = 16 feet, 2 inch beam diameter
- A 26° Beam Angle at 10-meter throw distance is 10 meters x 0.462 = 4.62 meter beam diameter

Notes:

(LL) designates 575W Long Life lamp.
Some measurements, data rounded for clarity.



11440C, 23° to 50° Variable Angle Beam at 23°

Distance (m)	5	10	15	20	25
Distance (ft)	16	32	48	64	80
Beam Ø (m)	2.0	4.1	6.1	8.1	10.2
Beam Ø (ft - in)	6 - 6	13 - 6	20 - 0	26 - 0	33 - 6
Illum (lux) 575W (LL)	3899	975	433	244	156
Illum (fc) 575W (LL)	362	91	40	23	15
Illum (lux) 575W	4789	1197	532	299	192
Illum (fc) 575W	445	111	49	28	18
Illum (lux) 750W	6429	1607	714	402	257
Illum (fc) 750W	597	149	66	37	24
Illum (lux) 800W	5921	1480	658	370	237
Illum (fc) 800W	550	138	61	34	22

11440C, 23° to 50° Variable Angle Beam at 35°

Distance (m)	5	10	15	20	25
Distance (ft)	16	32	48	64	80
Beam Ø (m)	3.2	6.3	9.5	12.6	15.8
Beam Ø (ft - in)	10 - 6	20 - 6	31 - 0	41 - 0	52 - 0
Illum (lux) 575W (LL)	2066	516	230	129	83
Illum (fc) 575W (LL)	192	48	21	12	8
Illum (lux) 575W	2496	624	277	156	100
Illum (fc) 575W	232	58	26	15	9
Illum (lux) 750W	3479	870	387	217	139
Illum (fc) 750W	323	81	36	20	13
Illum (lux) 800W	3262	815	362	204	130
Illum (fc) 800W	303	76	34	19	12

11440C, 23° to 50° Variable Angle Beam at 50°

Distance (m)	5	10	15	20	25
Distance (ft)	16	32	48	64	80
Beam Ø (m)	4.7	9.3	14.0	18.7	23.3
Beam Ø (ft - in)	15 - 6	30 - 6	46 - 0	61 - 0	76 - 6
Illum (lux) 575W (LL)	968	242	108	61	39
Illum (fc) 575W (LL)	90	23	10	6	4
Illum (lux) 575W	1078	269	120	67	43
Illum (fc) 575W	100	25	11	6	4
Illum (lux) 750W	1629	407	181	102	65
Illum (fc) 750W	151	38	17	10	6
Illum (lux) 800W	1522	380	169	95	61
Illum (fc) 800W	141	35	16	9	6

For beam diameter at any distance for the 11440 fixture:

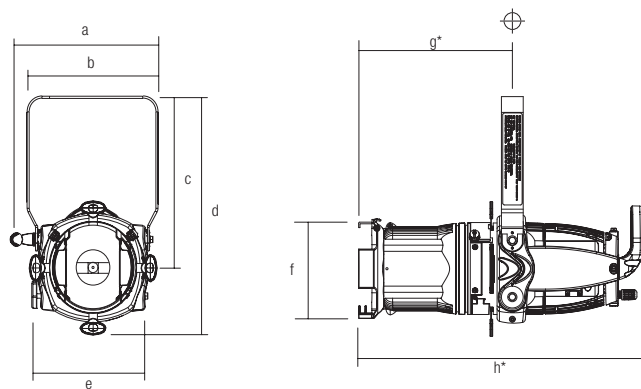
- At 23° Beam Angle - multiply 0.407 x distance
- At 35° Beam Angle - multiply 0.631 x distance
- At 50° Beam Angle - multiply 0.933 x distance

Dimensions

Models: 11520C, 11530C, 11540C, 11550C

Model	Leko Lite Body					f	g*	h*
	a	b	c	d	e			
11520C	11.23 (285.2)	9.96 (253.0)	10.39 (263.9)	16.38 (416.1)	8.81 (223.8)	6.95 (176.5)	13.61 (345.7)	23.05 (585.5)
11530C	11.23 (285.2)	9.96 (253.0)	10.39 (263.9)	16.38 (416.1)	8.81 (223.8)	6.95 (176.5)	13.61 (345.7)	23.05 (585.5)
11540C	11.23 (285.2)	9.96 (253.0)	10.39 (263.9)	16.38 (416.1)	8.81 (223.8)	6.95 (176.5)	13.61 (345.7)	23.05 (585.5)
11550C	11.23 (285.2)	9.96 (253.0)	10.39 (263.9)	16.38 (416.1)	8.81 (223.8)	6.95 (176.5)	13.61 (345.7)	23.05 (585.5)

Note: * Dimension shown is with lens fully extended. Lens travel is 2.5-inches (63.5 mm).

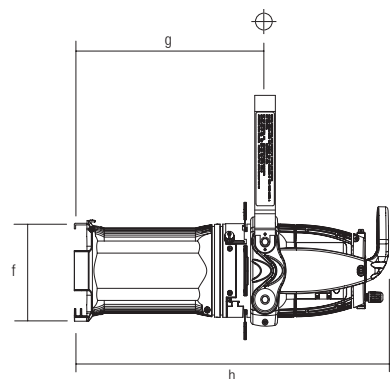


Leko Lite Body
(Same for all models)

Note, lens note shown for clarity.

Models: 11430C, 11440C

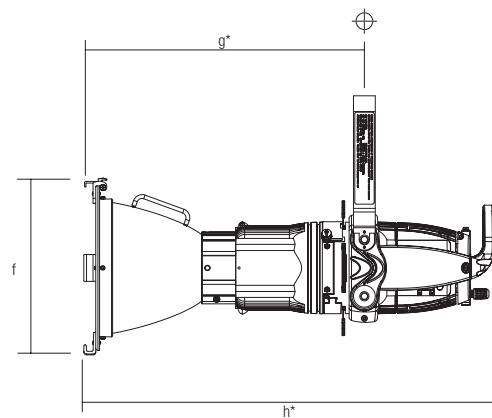
Model	Leko Lite Body					f	g	h
	a	b	c	d	e			
11430C	11.23 (285.2)	9.96 (253.0)	10.39 (263.9)	16.38 (416.1)	8.81 (223.8)	6.95 (176.5)	12.90 (327.7)	22.34 (567.4)
11440C	11.23 (285.2)	9.96 (253.0)	10.39 (263.9)	16.38 (416.1)	8.81 (223.8)	6.95 (176.5)	14.57 (370.1)	24.01 (609.9)



Models: 11510C

Model	Leko Lite Body					f	g*	h*
	a	b	c	d	e			
11510C	11.23 (285.2)	9.96 (253.0)	10.39 (263.9)	16.38 (416.1)	8.81 (223.8)	12.48 (317.0)	20.35 (516.9)	29.77 (756.2)

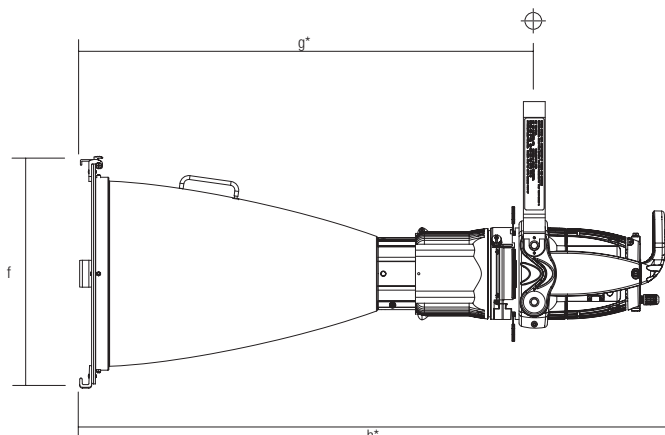
Note: * Dimension shown is with lens fully extended. Lens travel is 2.5-inches (63.5 mm).



Models: 11500C

Model	Leko Lite Body					f	g*	h*
	a	b	c	d	e			
11500C	11.23 (285.2)	9.96 (253.0)	10.39 (263.9)	16.38 (416.1)	8.81 (223.8)	16.46 (418.1)	33.37 (847.6)	42.81 (1,087.4)

Note: * Dimension shown is with lens fully extended. Lens travel is 2.5-inches (63.5 mm).



Note: All dimensions shown are in inches (mm).

Technical Specifications		Gobo Size:	B Size
Operating Voltages:	120V or 240V, 50/60 Hz	Color Frame Sizes:	6-1/4" x 6-1/4" (models: 11430C, 11440C, 11520C, 11530C, 11540C, 11550C)
Ratings:	Up to 800W		12" x 12" (models: 11500C)
AC Supply Cable:	39-inches (1 meter)		16" x 16" (models: 11510C)
Standards Compliance:	ETL/cETL Listed to UL1573 and CE Marked	Shutters:	Included, four independent shutters on three planes
Operating Temperature:	113°F (45°C) max. ambient	Lenses:	Crown glass coated aspheric lens
Mechanical Data		Reflector:	Multi-faceted, dichroic glass reflector
Construction:	Die cast aluminum housing with black epoxy powder coat. Stainless steel shutters.		
Gate:	Plated steel		
Weight:	11430C: 20.4 lbs / 9.3 kg		
	11440C: 20.2 lbs / 9.2 kg		
	11500C: 23.5 lbs / 10.7 kg		
	11510C: 19.7 lbs / 8.9 kg		
	11520C: 18.9 lbs / 8.6 kg		
	11530C: 18.9 lbs / 8.6 kg		
	11540C: 18.9 lbs / 8.6 kg		
	11550C: 18.9 lbs / 8.6 kg		



Ordering Information

Cat. No. Description

LEKO LITE Variable Beam Luminaires	Accessories
11430C 15° to 32° Variable Beam Angle LEKO LITE Luminaire	NPA Hi-Brite, FastFit, 575W 115V Long Life Lamp
11440C 23° to 50° Variable Beam Angle LEKO LITE Luminaire	GRS Hi-Brite, FastFit, 750W 115V Lamp
LEKO LITE Fixed Beam Luminaires	NPC Hi-Brite, FastFit, 800W 240V Lamp
11500C 5° Fixed Beam Angle LEKO LITE Luminaire	GR 15A NEMA 5-15P Male Edison Connector
11510C 10° Fixed Beam Angle LEKO LITE Luminaire	GP 20A, Male Stage Pin Connector
11520C 19° Fixed Beam Angle LEKO LITE Luminaire	GTL 20A, NEMA L5-20P Male Twist-Lock Connector
11530C 26° Fixed Beam Angle LEKO LITE Luminaire	USCLAMP C-Clamp for 3/4-inch to 1-1/2-inch Pipe
11540C 36° Fixed Beam Angle LEKO LITE Luminaire	82003 Safety Cable
11550C 50° Fixed Beam Angle LEKO LITE Luminaire	18045 B-Size Gobo Holder
Note: All LEKO LITE luminaires are supplied with 360° rotation mounting yoke, color frame, C-Clamp (USCLAMP), and AC power cable.	18145 B-Size Gobo Holder, Glass
	18049 Iris (24 Leaf)
	18114 Color Frame
	18115 High Hat
	18136 5-Degree Color Frame
	18137 10-Degree Color Frame
	18139 10-Degree High Hat
	18143 Donut
	18147 5-inch Gel Frame Extender

Philips Strand Lighting

Dallas
10911 Petal Street
Dallas, TX 75238
Tel: (214) 647-7880
Fax: (214) 647-8031

New York
267 5th Ave, 4th Floor
New York, NY 10016
Tel: (212) 213-8219
Fax: (212) 532-2593

www.strandlighting.com
© Philips Group 2010
All rights reserved.
The Company reserves the right to make any variation in design or construction to the equipment described. E&OE

Auckland
19-21 Kawana Street
Northcote, Auckland 0627
New Zealand
Tel: + 64 9 481 0100
Fax: + 64 9 481 0101

Asia
Room 6-10,
20/F Delta House
3 On Yiu Street
Shatin, N.T. Hong Kong
Tel: + 852-2757-3033
Fax: + 852-2757-1767

Europe
European Service & Distribution Centre
Marssteden 152
Enschede 7547 TD
the Netherlands
Tel: +31-53-4500424
Fax: +31-53-4500425

