



Fixture Type:

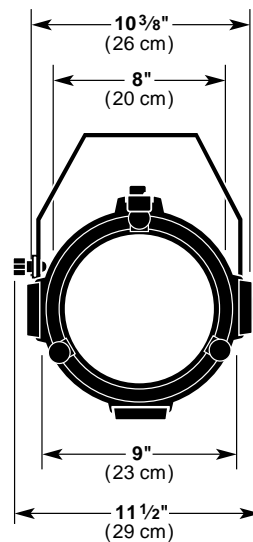
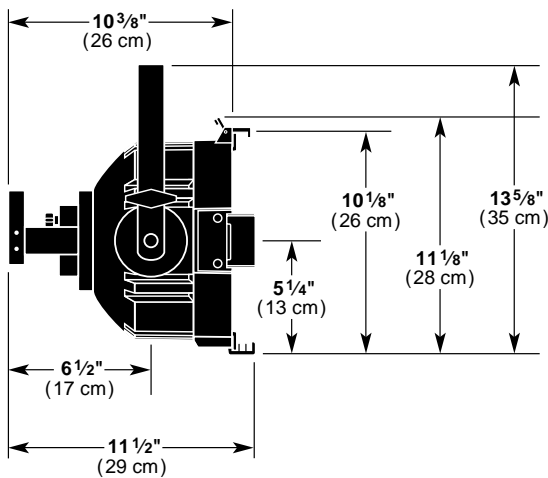
Catalog Numbers  
 SP-A  
 SP-V  
 SP-N  
 SP-M  
 SP-W  
 SP-VW

The die-cast Star Par™ is a rugged, lightweight alternative to conventional Par 64 luminaires. The highly polished specular reflector has been designed to operate most efficiently with the new generation of 575 watt tungsten halogen lamps. The fully rotational lens holder easily accepts a variety of lenses, and the lenses are interchangeable without the use of tools. The removable, two slot accessory holder has a self-closing, self-locking retaining latch for safety. The aesthetic appearance and ergonomically designed function controls add to the appeal of this versatile luminaire.

Specifications subject to change without notice

**575 WATT  
 STARPAR™  
 Die-cast Spotlight/Floodlight  
 Features**

- Rugged die-cast aluminum construction
- Reflector made of high grade aluminum, polished to a mirror finish
- Five, tool free interchangeable lenses optional
- Low friction, Hi-Temp lens holder with plastic handles that are fully rotational via three insulated finger tabs
- Replaceable two-slot accessory holder provided with self-closing and self-locking accessory retaining latch
- Yoke supplied with positive locking dog
- Protective insulated rear mounted handle serves as cord wrap, stand, and focusing aid
- G9.5, medium two-pin lampholder accepts wide variety of non-proprietary lamps
- Lower wattage lamps drastically reduce power consumption while increasing dimmer capacity
- Smaller size lamps greatly reduce lamp storage space
- Uses standard 10" accessories
- Three 36" Teflon lead wires
- Up to 25' of Hi-Temp rubber cable optional
- Color frame and safety cable with spring clip included
- U.L., c.U.L. and CE listed for 575 watts.
- Made in the USA



# 575 WATT STARPAR™ Die-cast Spotlight/Floodlight

Catalog Numbers  
 SP-A  
 SP-V  
 SP-N  
 SP-M  
 SP-W  
 SP-VW

## Specifications

**Housing:** Die-cast aluminum construction.

**Materials:** Construction employs all corrosion-resistant materials and hardware.

**Yoke:** Rigid flat steel with locking dog tilt handle.

**Reflector:** High grade aluminum, chemically polished and coated, parabolic design.

**Lenses:** Five different beam shaping lenses available. (See performance chart)

**Lens Holder:** Fully rotational, provided with three insulated finger tabs. Lenses can be interchanged without the use of tools. 360° beam rotation.

**Socket:** Altman G9.5 medium two-pin, axially mounted. Tool free relamping.

**Rating:** 120/240 volts AC/DC operation, 4.8/2.4 amps, 575 watts maximum.

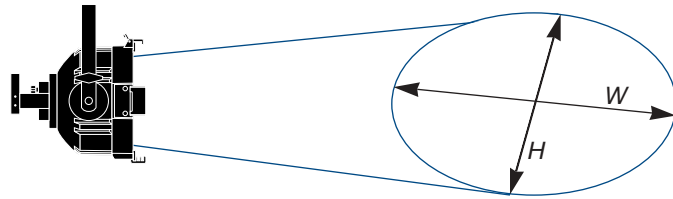
**Cable:** 36" Teflon leads encased in black fiberglass sleeving. Hi-temp rubber cable optional, up to 25'

**Focusing Fixture:** Protective, insulated handle mounted on rear for aiming.

**Accessories:** Removable front end accessory holder equipped with two slots that accepts standard 10" accessories. Accessory holder retaining latch is self-closing and self-locking for safety.

**Finish:** Black epoxy sandtex, electrostatic application.

**Weight:** Approx; 8 lbs. (3.6 kg.)



Catalog Number Key	
SP-A	Equipped with four lenses (VNSP, NSP, MFL, WFL)
SP-V	Equipped with very narrow spot lens
SP-N	Equipped with narrow spot lens
SP-M	Equipped with medium flood lens
SP-W	Equipped with wide flood lens
SP-VW	Equipped with very wide flood lens.

## LAMP DATA

Watts	Volts	ANSI Code	Manufacturer Lamp Code	Color Temp (°K)	Rated Life (Hours)	Rated Lumens	Correction Factor
375	115	—	HX400	3200°	300	10,000	.69
375	115	—	HX401	3050°	1500	8,500	.59
575	115	—	HX604	3250°	400	15,500	1.14
575	115	—	HX605	3100°	1500	13,500	—
600	230	GKV	HX600/HV230	3200°	400	14,500	1.03
575	115	GLC	HP600/6989P	3200°	400	15,500	—
575	115	GLA	HP600/6992P	3100°	1500	13,500	—

ACCESSORIES	
Supplied with all StarPar Luminaires	
8-CF	Color Frame, 10" x 10"
SC	Safety Cable with Spring Clip
—	Specified Lens or Lenses

ADDITIONAL ACCESSORIES	
8-CFB	Black Color Frame, 10" x 10"
510	Malleable Iron Pipe Clamp
8-BD-4	4-Way Barn Doors
8-SN	Snoot
404-8	Motorized Color Wheel
18-0110	Very Narrow Spot Lens
18-0111	Narrow Spot Spread Lens
18-0112	Medium Flood Spread Lens
18-0113	Wide Flood Spread Lens
18-0114	Very Wide Flood Spread Lens
97-0150	Set of 4 Lenses (VNSP, NSP, MFL, WFL)

## STARPAR PERFORMANCE CHART WITH GLC LAMP

Fixture	Lens	Distance				10'		20'		30'		40'		50'		60'	
		Candle-power (candela)	Beam Angle (Degrees)	Field Angle (Degrees)	Efficiency (%)	Center Beam F.C.	H W	Center Beam F.C.	H W	Center Beam F.C.	H W	Center Beam F.C.	H W	Center Beam F.C.	H W	Center Beam F.C.	H W
SP-V	Very Narrow Spot	576,100	6 x 6	14 x 14	71.3	5761	2 2	1440	5 5	640	7 7	360	10 10	230	12 12	160	15 15
SP-N	Narrow Spot	414,300	7 x 7	16 x 16	66.9	4143	3 3	1036	6 6	460	8 8	259	11 11	166	14 14	115	17 17
SP-M	Medium Flood	152,200	9 x 19	19 x 29	66.4	1522	3 5	381	7 10	169	10 16	95	13 21	61	17 26	42	20 31
SP-W	Wide Flood	35,600	17 x 40	32 x 56	56.6	356	6 11	89	11 21	40	17 32	22	23 43	14	29 53	10	34 64
SP-VW	Very Wide Flood	10,600	53 x 53	77 x 77	56.1	106	10 10	26	20 20	12	30 30	7	40 40	—	—	—	—