

PRO LAUNCHER



v.08.27.01

Please Read Carefully Before Operating

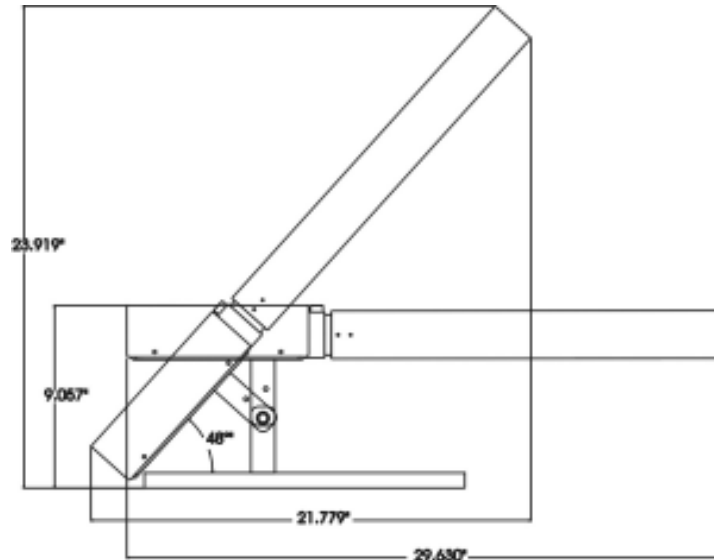
Table of Contents

Page 1	Technical Specifications
Page 2	Warning
Page 3	Operating Procedure
Page 4	Remote Operating Features
Page 4	Maintenance
Page 5	Safety Precautions
Page 8	Warranty

Technical Specifications

Model:	Pro Launcher		
Type:	CO2 Powered Launcher		
Size:	See Diagram Below		
Weight:	11 Lbs.		
Power Rating:	115 Volt A.C.	50/60 Hz	1 Amps

Pro Launcher Illustration



Warning

IMPORTANT SAFETY INSTRUCTIONS
Do not touch or place hands, expose skin,
within 50 cm. of discharge nozzle.
SAVE THESE INSTRUCTIONS
READ THESE IMPORTANT SAFETY INSTRUCTIONS

WARNING
READ THESE IMPORTANT SAFETY INSTRUCTIONS
Do not remove the outer case until power has
been
disconnected from the machine

WARNING
Ensure that this unit is grounded at all times.
Failure to do so may result in serious injury.

WARNING
Do not point this unit at anyone at anytime.
Do not discharge unit when persons are directly
in front of barrel

Operating Procedure

EFFECT: When loaded properly, this 2" canon will safely propel Pro Streamers and/ or Profetti and dozens of other items to distances of 40 to 60 feet! The end result resembles a cascading display of falling, spinning confetti and comet tails! It uses no explosives or fire but rather a much safer propellant, a disposable 8 or 16-gram, Co2 Cylinder. Aside from loading, the unit comes to you ready to use. However, please review operation guidelines so you can gain a full understanding of its operation and spend less time experimenting.

ASSEMBLY AND OBSERVATION: The electric unit is supplied, already mounted onto a wooden base by the use of a mounting bolt. Note how unit angles with adjustment knobs, and cover removes to gain access to the electrics.

IMPORTANT: The internal return spring comes factory set with a tension that is suitable for both upright and upside-down truss mounting, so no adjustment should be required.

FIRING PIN: Piercing pin depth is factory set and machine tapered to a real sharp point! This should not need any readjusting. If the firing pin becomes chipped replacements are available.



Co2 CHARGE: The best part of this system is the location of the Co2, which screws into the center of the female section of the bayonet fitting. When the barrel is installed, it conceals the Co2 inside. When you remove the barrel for refilling, screw in a new Co2 cylinder, then replace loaded barrel.



Tightening Cartridge



Loosening Cartridge

IMPORTANT: Firing pin must have movement after Co2 has been installed. If not, you should screw out Co2 cylinder by one or two turns. You can avoid this issue by using Le Maitre CO2 cartridges (PAP 1200)

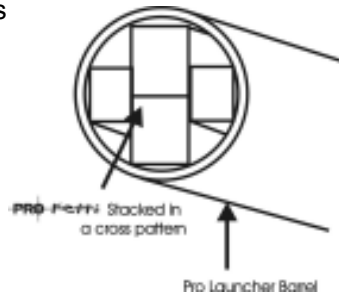
LOADING: First insert the double-sided lifting cup (PAP 1220) by pushing it down the barrel to the bottom, using the ramrod provided. You may need to squeeze in the bottom side of the cup to make the lower end fit. This cup acts as a bottom expanding propellant sealer and helps eject your streamers further. Note: Be sure the cup is inserted fully down the barrel onto the stop.

Now you are ready to load in streamers and/or confetti effects on top of the cup. Hard press packing is not necessary but you may compress, a little.

~~PRO Streamers~~ We recommend 4 sleeves of 18 ft. streamers or 3 sleeves of 25 ft. streamers. More or less can be used, however, the more you use, the more spectacular the effect! If your budget permits, a full barrel looks unbelievable but you do not need to fill barrel to get a great effect.

LOADING TIP: If you are mixing big streamers with small streamers, load in the smaller streamers first, on up to the largest. For the best visual effect, shoot in an 18' or higher area with mortar set at a 45-degree angle. Results are not as effective in a low ceiling environment.

~~PRO Fetti~~ We recommend 12 Stacks of Profetti per load. Please see diagram for suggested loading method. By loading the Profetti in a cross pattern we create some friction on the sides of the launcher barrel, this will help in launching the Profetti in the air.



INSTALLING THE BACKPRESSURE CAP

(PAP 1210) Slip the cap over and the end of the barrel and snug it down. With masking tape, neatly tape 2 or 3 turns around the side of the barrel and cap. After taping, roll your hand around the tape, pressing to form a tight air seal. When firing, backpressure will be increased, thus blowing the lid off and expelling the contents. Note: The lifting cups are reusable if you can find them, however, the backpressure caps may need replacing if they tear when blown off.

MOUNTING: If floor mounted, you may want to screw or secure base plate to surface and secure power cord down, so it is not tripped over.

IMPORTANT: Always lock barrel into position ensuring bayonet-retaining clip has locked over bayonet pin, and safety chain and clasp has been attached to aluminum angle brackets.



FIRING: Upon cue, send full current into device, for one second, then cut power. Device needs a quick on/off to work. You must cut power for the gas to release. Do not leave power on as this will burn out coil! **DO NOT** operate from a dimmer board. Unit needs instant direct power; otherwise ram will move too slowly and not have thrust to pierce Co2. Long power cords may affect operation. (Voltage drop) If you have any questions, you should contact your local dealer.

FIRING RESULTS: The results you can expect depend on several factors such as the type of streamers or confetti used, method of packing and the size of the cylinder! The barrel need not be full to produce a good effect. The best way to accomplish a desired effect is by trial and error. When beginning, log in a notebook the way you load and what you are loading in. Eventually you will assemble your own standard guidelines. However, should you need any technical assistance, feel free to call us.

NOTE: Any soft, safe, objects of your choice can be shot out of the barrel!

SAFETY WARNING – NEVER USE AEROTECHNIC PRODUCTS IF THERE ARE ANY OPEN FLAMES PRESENT! Never point the muzzle directly at anyone or look of the barrel when loaded. When using, keep away from spectators and always aim way up, over the crowd. Be sure barrel is locked into position and safety chain and clasp is attached. Use caution when removing the Co2 cartridge, it gets very cold after firing!

TROUBLESHOOTING: If your system ever develops a leak, it will be behind the O-ring located just behind the firing pin or the large O-ring on the male part of the bayonet fitting. Usually, the system fires so fast, that a minor leak never really affects operation, however spare O-rings are available. Keep the threads clean and barrel will screw in easier. Lubricate the firing pin and large O-ring with silicone grease every few weeks.

SUPPLIES: Streamers, confetti, glitter and numerous other cannon effects are available.

Backpressure Caps (PAP 1210): Function/ Purpose
Creates bang and propels streamers further when used!

A backpressure cap is nothing more than a thin paper cap or cup that fits externally over 2" barrel. Essentially, they hold backpressure until enough is built up to force the pressure cap to blow off! When they do, a semi-concussive sound is heard. The user will find, when using caps, the streamer-load will travel much further (about 30%) and the product will function more efficiently. In some cases, a smaller Co2 cylinder can be used, decreasing your operating costs!

When using back pressurecaps, a good rule to follow is – **“DO NOT AIM DIRECTLY AT ANYONE!” ...WARNING: NEVER USE AEROTECHNIC PRODUCTS IF THERE ARE OPEN FLAMES PRESENT!**

Back pressure Cap Installation: Slip the cap over and snug it down. **IMPORTANT:** With masking tape, neatly tape two full turns around the side of the barrel and cap. Stagger the wrap so it overlaps both the barrel and the cap. **VERY IMPORTANT:** After taping, roll your hand around the tape, pressing to form a tight air seal. When firing, you should notice an increased kick, sound and streamer distance. This is your starting point. If you want your shot a little stronger, wrap additional turns of tape around the side. If the bang is too loud or the cannon fails to fire, simply use less tape around the side. **WARNING:** Too much tape or the use of DUCT TAPE can cause a dangerous condition. Use only masking tape!! **NEVER** exceed more than four side turns. Never tape over the top of the cap on any hand held device. The top must be allowed to split or tear off freely, like a pressure release gasket.

TIPS: For additional product performance, all devices should be bottom primed with a lifting cup.

Lifting Cups (PAP 1220): Function/ Purpose

Helps thrust cannon payload further when used!

A lifting cup is a thin double-backed paper cup that fits inside the barrel. Essentially, it acts as an elevator and lifts the payload up evenly. When it lifts, it spreads open and holds back the gas by forming a tight inner wall seal. This in turn maximizes your pushing power because no gas escapes between the paper products inside. The cup also provides a small cargo area that lifts some of the payload to a high point and then dumps it! This is especially good for small (1 ounce) amounts of confetti. The user will find that when using lifting cups, the streamer load will stay compacted and travel to greater heights (10 – 50%). In turn, the product will function more efficiently and in some cases, a smaller Co2 cylinder can be used, decreasing your operating costs!

Lifting CUP Installation: Squeeze the cup so that one end fits into the barrel. Once the front section is started in, the back section will funnel in easily. Use a ramrod to push the lifting cup to the bottom of the barrel. You now can load any safe product of your choice into the device. Since the lifting cups are thin and of poor aerodynamic design, they will usually not travel far. However, you do not want to hit anyone as they may sting! So when using cups, a good rule to follow is **"DO NOT AIM DIRECTLY AT ANYONE!"**

TIPS: In addition to shooting streamers and confetti, most of our devices will also shoot large pedal confetti, sparkle confetti, feathers, silks, soft toys, lightweight tokens, play or real dollar bills, parachutes, business cards, popcorn...Actually, anything that is light, soft and has no pointed corners can be fired out!

White streamers glow radiantly under UV lighting and/or look like smoke trails, whereas red and orange streamers look like fire streaks! Our streamers have been aerodynamically designed for maximum travel and spread in the air. **WARNING: NEVER USE AEROTECHNIC PRODUCTS IF THERE ARE ANY OPEN FLAMES PRESENT!**

Co2 CYLINDER SPECIFICATION CHART

The Carbon Dioxide (Co2) cylinder has an internal pressure rating ranging from 700 –900 psi. At room temperature the pressure is about 845 psi. Certain precautions are therefore advised when handling. To avoid bursting, do not expose to heat beyond 140 degrees F or store in direct sunlight. To avoid possible freezer burn (after activating) do not remove frozen container for several seconds. For the best performance results, keep cylinders at room temperature prior to use. FACT: Cold weather exposure greatly reduces internal pressure. Example: At 32 degrees F pressure is at 491 psi. At 2 degrees F pressure is 302 psi. At minus 20 degrees pressures is only 200 psi. So if used, out of doors, on a cold day, keep them in your chest pocket, at body temperature, until ready for use.

Warranty

Warranty

All warranty is one year parts and labour unless specified and is on manufacturer defect only. Overuse or poor maintenance is not accepted. Proof of purchase or proof of sale must always accompany any warranty returns. An RA (return authorization) number must be requested from Le Maitre and noted outside of any box returned to our facilities. Any packages without a clearly marked RA number will not be accepted by our receiving department. Freight on warranty items are freight prepaid to our facility and we will prepay freight back to your facility after repair, by the most economical means available. Should you require the item express-returned, then you are responsible for any difference in freight cost.

Return

Return of any product must be done within 30 days of purchase. The package must be returned freight prepaid and the RA number clearly marked outside of the box. A restocking charge of up to 25% may be levied. Only credits are issued to the dealers account. Any product not returned within 30 days is considered purchased. Le Maitre Special Effects Inc. considers all its product to be safe for use in the application it was intended. Le Maitre Special Effects takes no responsibility for misuse or incorrect use. Always refer to equipment owners manual for proper use.