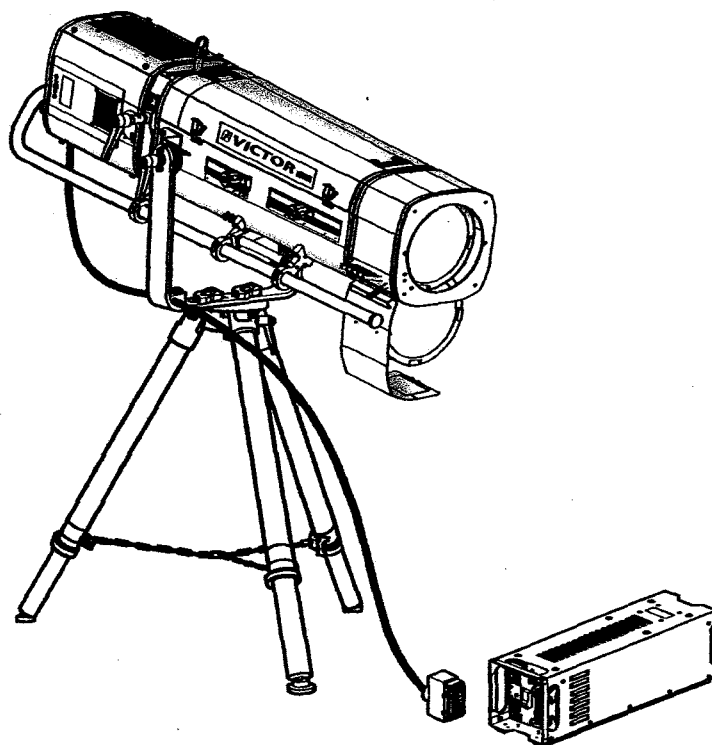


Robert Juliat S.A.S.
Route de Beaumont
F 60530 Fresnoy-en-Thelle
tél. : +33 (0)3.44.26.51.89
fax : +33 (0)3.44.26.90.79
e-mail : info@robertjuliat.fr

TECHNICAL FILE / DOSSIER TECHNIQUE :



1159 & 1159 M
"VICTOR"

**MSR 1800W HOT RESTRIKE FOLLOW SPOTS /
PROJECTEURS DE POURSUITE MSR 1800W
AMORCAGE A CHAUD**

You have in your possession a ROBERT JULIAT follow spot. We would like to congratulate you on your choice.

The performance of the follow spot depends on the care you'll give to its maintenance. We advise you to read this manual and then keep it for reference.

Do not hesitate to come up with suggestions; it's thanks to you that our products will continue to improve.

Thank you.

ROBERT JULIAT

Vous venez de prendre possession de votre nouveau projecteur de poursuite et nous vous remercions de votre choix.

Le résultat que vous en obtiendrez dépendra pour beaucoup du soin que vous apporterez à son entretien, aussi nous vous conseillons de lire ces quelques pages qui ont été écrites à votre intention et de les conserver en cas de nécessité.

Ne manquez pas de nous faire part de vos idées ou suggestions; c'est grâce à vous que le produit pourra évoluer.

Merci de votre attention.

ROBERT JULIAT

CONTENTS

Section: A TECHNICAL DATA

<i>User's instructions</i>	A - 1
<i>The identification plates</i>	A - 3
<i>Connections</i>	A - 5
<i>Placing the lamp & switching on</i>	A - 7
<i>Admissible lamps</i>	A - 9

Section: B MAINTENANCE

<i>Reflector, aspheric lens, spark-gap and filters</i>	B - 1
<i>Trouble shooting</i>	B - 3

Section: C SPARE PARTS LIST

<i>Complete lighting unit</i>	C - 1
<i>6 way colour changer unit - Boomerang</i>	C - 2
<i>6 way colour changer unit - Push/Pull</i>	C - 3
<i>Lens tube</i>	C - 4 & 5
<i>Lens tube inner parts</i>	C - 6 & 7
<i>Motorized dimmer</i>	C - 8
<i>Lamp housing</i>	C - 9
<i>Electrical diagram - Lamp house</i>	C - 10
<i>Lamp housing inner parts</i>	C - 11, 12, 13
<i>Electrical diagram - Trapdoor 1800W</i>	C - 14
<i>Iris cassette</i>	C - 15
<i>Magnetic P.S.U. 1800W</i>	C - 16
<i>Electrical diagram - P.S.U. 1800W Magnetic CE</i>	C - 17
<i>Electrical diagram - P.S.U. 1800W Magnetic NA</i>	C - 18
<i>Electronic P.S.U. 1800W</i>	C - 19
<i>Electrical diagram - P.S.U. 1800W Electronic CE</i>	C - 20
<i>Electrical diagram - P.S.U. 1800W Electronic NA</i>	C - 21

Please read all instructions before using this lighting fixture.

Besides the instructions indicated on this page, you must adhere to the relevant health and safety requirements of the appropriate EU Directives.

This fixture is in compliance with section 17: Lighting appliance for theatre stages, television, cinema and photograph studios. Standards NF EN 60598-1 and NF EN 60598-2-17.

This fixture is rated as IP20, and is for indoor use only.

- **Disconnect from the mains before any servicing. Warning, high voltage ignition.**
- **DANGER :** The discharge lamp emits short ultraviolet radiation waves which are harmful to skin and eyes. Use only fully enclosed in the fixture and never observe the lamp directly.
- The protection screens, lenses or U.V. filters must be replaced if there is any visual damage to the point where their performance is reduced, for example, by cracks or deep scratches.
- The lamp must be replaced if it has been damaged or deformed by the heat.
- Check that the lamp voltage corresponds to the mains voltage used. Do not use a lamp with power that is an incorrect type or voltage to the one that is indicated on the lamp housing or packaging.
- Make sure the fixture has correctly mounted on an appropriate support.
- When hung or flown the fixture must be secured by another hanging accessory (such as a safety cable or bond) that is a suitable length.
- The safety bond or cable must be securely attached at the back of the fixture. It must be as short as possible or rolled up a few times, need be to ensure the fixture does not travel any distance should it be dislodged.
- Movable accessories (barndoors, HMI shutters, spill rings etc.) must also be secured with a suitable safety cable or bond at the front of the fixture.
- Take into account the weight of both the fixture and the accessories when choosing the strength of the attachment point and the safety cable or bond.
- U.V. rays: Protect your eyes.
- Do not open the lighting fixture when the lamp is on. Both the lamp and lamp housing heat up when powered: wait until the fixture is cold before servicing.
- Do not tamper with the design of the fixture nor any of its safety features.
- Tighten the electrical mains cable connections regularly. Replace mains cable with an identical one if damaged.
- Use only with correct power supply.
- Use only when bulb is in place.
- Keep well away from flammable material.
- Do not use outside. Do not cover. Do not permit the fixture to get wet.
- If the fixture has fans, make sure they are working correctly. If fans are not working, turn the fixture off immediately and service as necessary.
- If the fixture has filters they must be cleaned frequently.
- Do not obstruct air vents.
- Keep optical parts clean.

POWER SUPPLY.

- Disconnect from the mains before any servicing
- Mains connection only, do not connect to an "electronic output" (dimmer, static relay...).
- Do not use outside. Do not cover.
- The power supply has circuit breakers, which should always be kept accessible.
- There is no maximum distance between the lighting unit and the power supply. Even though the distance needs to be known for the cable used (except CDM-T lamp fixture : 3 meters).
- Check the mains voltage.

These products have been built to conform to European standards relating to professional lighting equipment. Any modification made to our products will void the manufacturer's warranty.

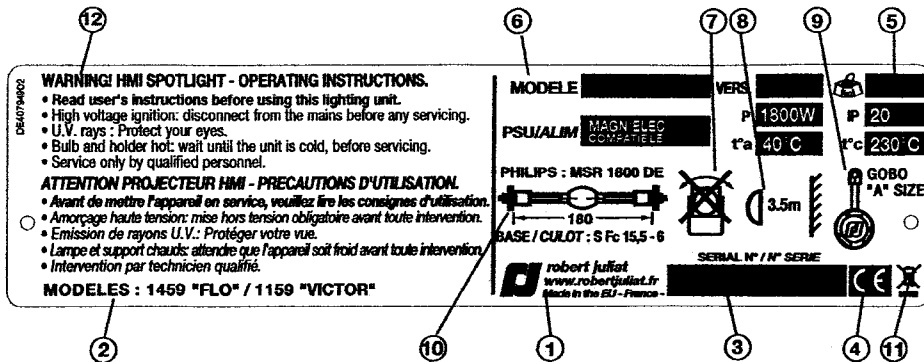
Not for residential use.

Only qualified technicians are permitted to service these fixtures.

Thank you for your attention.

THE IDENTIFICATION PLATES.

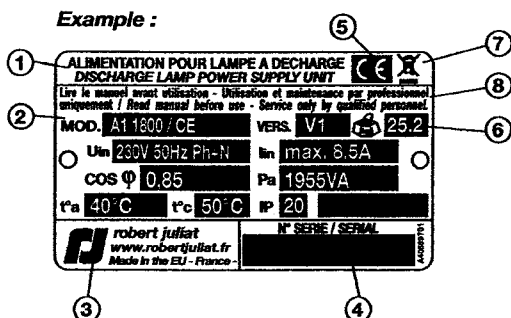
- Identification plate situated on the 1800W MSR follow spot.



User's instructions :
read the previous page attentively.

- 1 Logo, manufacturer's name and origin of the product.
- 2 Lighting unit's reference & name.
- 3 Serial number.
- 4 European conformity.
- 5 Net weight without accessories.
- 6 Technical characteristics :
 - **MODELE** = Light unit model.
 - **VERS.** = The unit version & lamp power.
 - **PSU** = The type of power supply unit necessary.
 - **P** = Maximum power input.
 - **IP 20** = indoor use ONLY.
- 7 Restrictive operating position : front/side view.
- 8 Minimum distance between a flammable material and the lighting unit.
- 9 Gobo size.
- 10 Admissible lamps & type of lamp base accepted.
- 11 WEEE directive label.
- 12 User's instructions.

- Identification plate situated on the 1800W power supply unit (P.S.U.):



- 1 Power supply description.
- 2 Power supply reference & technical characteristics :
 - **MOD.** = Unit model.
 - **VERS.** = The unit version.
 - **U_{in}** = Nominal power input.
 - **I_{in}** = Nominal intensity.
 - **COS** = Dephasing between the voltage & current.
 - **Pa** = Power absorbed.
 - **t°a** = Surrounding temperature.
 - **t°c** = Maximum external temperature of the unit.
 - **IP 20** = Indication of protection :
IP20 = indoor use ONLY.
- 3 Logo, manufacturer's name and origin of the product.
- 4 Serial number.
- 5 European conformity.
- 6 Net weight.
- 7 WEEE directive label.
- 8 User's instructions.

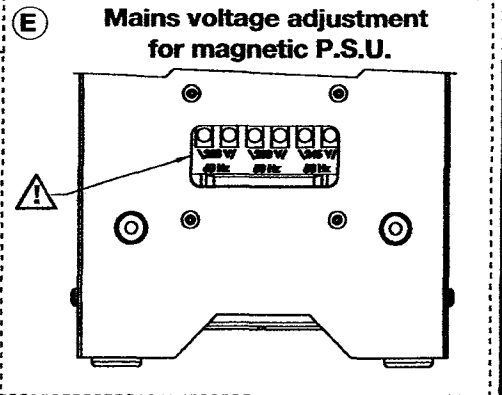
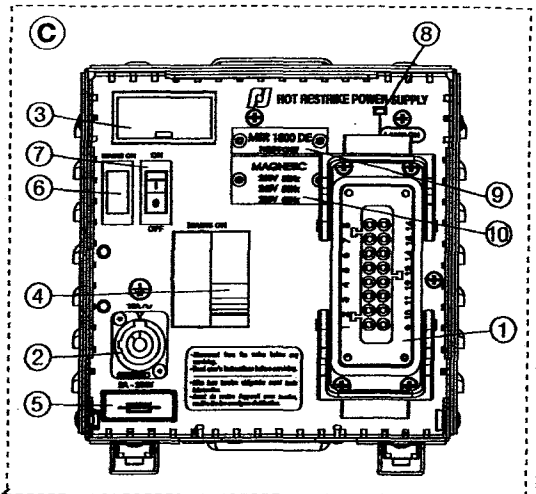
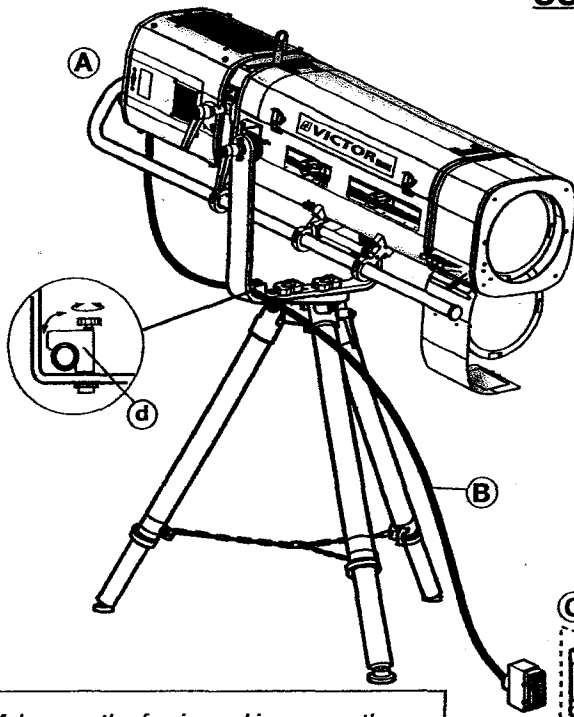
Unity used :

- Dimensions = metre (m) millimetre (mm).
- Weight = Kilogramme (Kg).
- Intensity = Ampere (A).
- Voltage = Volt (V).
- Frequency = Hertz (Hz).
- Power = Watt(W).
- Temperature = Degree Celsius (°C).

Robert Juliat reserve the right to change or alter any of the items detailed on this page, to increase or improve manufacturing techniques without prior notice.

CONNECTIONS.

Power supply unit (P.S.U.)



Make sure the fan is working correctly when switching on the unit.

Mains voltage.

- Check the conformity of the power supply unit (C).
- Rating plate (10) : Lamp power.

CAUTION :

⚠ for magnetic power supply units check the mains voltage adjustment (E).

Lighting unit / Power supply connection.

- Connect the lighting unit's power cable (B) by passing it inside the yoke.
- Leave a little slack and then block the cable (B) into the lock (d).
- Place the lamp into position - refer to section A - 7.
- Connect the cable (2) to the mains.

CAUTION - For your security !

- Never open the lamp house's bonnet et trapdoors when the lighting unit is on.
- Do not change the safety switches.
- Never connect to a dimmable channel.
- Use only when the lamp is in place.

DESCRIPTION.

- (A) 1800W Hot restrike follow spot.
- (B) Lighting unit's power cable.
Cable 18G 1,5mm², length 3m equipped with 16 x 16A male HARTING connector.
- (C) Power supply unit.
 - 1 - EF HARTING 16 x 16A - 2 latch connector.
 - 2 - Mains cable socket.
 - 3 - Time meter.
 - 4 - General 16A circuit breaker (E.C).
 - General 15A circuit breaker (UL/CSA).
 - 5 - 5 x 20 Fuse holder (2A 250V).
 - 6 - Mains, checklight.
 - 7 - "ON/OFF" switch.
 - 8 - Lamp ON, checklight.

If the lamp's checklight is OFF when the switch is ON, the lighting of the lamp has failed.
Repeat the operation - refer to section A - 7.

- 9 & 10 - Rating plate.

Robert Juliat reserve the right to change or alter any of the items detailed on this page, to increase or improve manufacturing techniques without prior notice.

**Disconnect from the mains before any servicing.
Service only by qualified technician.**

PLACING THE LAMP.

User's precautions:

- Disconnect from the mains.
- Lamp is cold.
- Avoid touching the bulb of the lamp.
- Open the side trapdoors of the lamp house.
- Use only when lamp is in place

Preparing the lamp:

- Unscrew the nuts ① without completely taking them off.

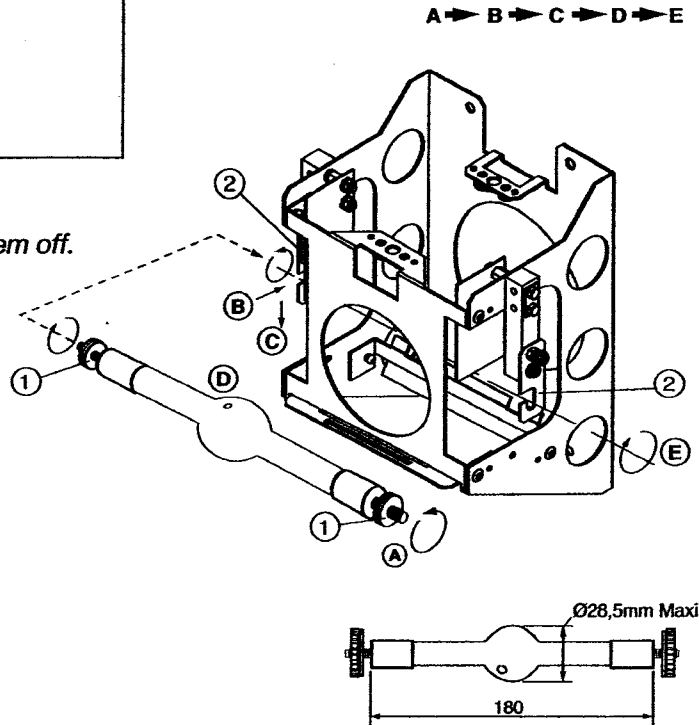
INSTALLING THE LAMP :

- Place the lamp into the contacts ② and the tip-off in the upper position ④.
- Tighten the nuts ① firmly, by hand.

Warning : A bad lamp tightening can cause a bad contact and a defective ignition. Check regularly that the nuts ① are well tightened.

Lamp :

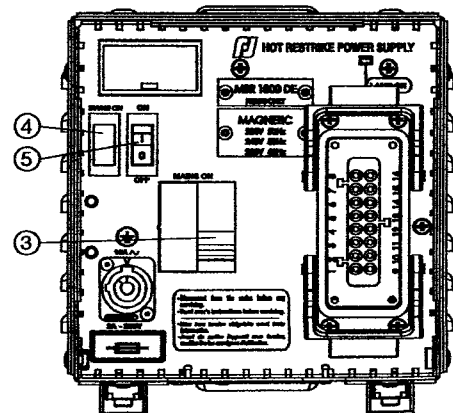
Warning - Do not use a lamp, if the diameter of the bulb is greater than Ø28,5mm.



SWITCHING ON.

Warning : Carry out the connections before connecting to the mains (refer to section A - 5).

- No matter in what the position of the circuit breaker ③, make sure that the mains checklight ④ is ON.
- Engage the circuit breaker ③.
- Press the switch ⑤ to "ON" .



Robert Juliat reserve the right to change or alter any of the items detailed on this page, to increase or improve manufacturing techniques without prior notice.

ADMISSIBLE LAMPS :
PHILIPS: MSR 1800 DE

Manufacturer's recommendations:

- Read attentively the manufacturer's instructions.
- Positioning of the lamp and connecting of the power supply require great care. To make sure there is a good conduction of current, the mechanical support and the electrical connections must be free from dirt and corrosion. The clamps and brackets must be checked whenever the lighting unit has been transported.
- The lamp emits ultraviolet radiation. Direct exposure can be harmful to your health.
- It is recommended to avoid air draughts, also avoid exposing the lighting unit to bad weather.
- Use only when bulb in place

Technical characteristics:

1159 & 1159M	
Nominal absorbed voltage.....	1800 W
Voltage use:.....	(European standard) 230/245 Volts 50Hz
Voltage use:.....	(North American standard) 208 Volts 60Hz
Minimum voltage of the power supply	198 V
(Below this charge = possible ignition failure).	
Voltage at the terminals of the lamp.....	100 V
Amperage through the lamp.....	20 Im
Luminosity of the lamp	145 000 lm
Luminous effectiveness.....	80 lm/W
Colour temperature	6000 Kelvin
Base.....	SFa 15,5-6
Manufacturer's rated life.....	750 hours

User's precautions:

- The lamplife, as given by the manufacturer, is a theoretic lamplife duration as "in laboratory conditions", a cycle based on 3 hours on / 1 hour off. Briefer cycles reduce the duration of the lamplife.
- In operating conditions, it is uncommon, for the lamp to still be fully efficient after 200 to 300 hours. Its efficiency can decrease by 30%.
- Premature wearing of lamp under performing conditions is mainly due to frequent switching on. Better leave the lamp on, through the performance, rather than switching it on repeatedly. (The lamplife is reduced about 1 hour, each time the lamp is switched on). It is advised to wait for 10 minutes before switching on again. (This extends the duration of the lamp.)

New lamp:

- To achieve a good ionization of a new lamp, when using it for the first time, it is recommended to leave it on for a few hours.
- Preserve carefully the guarantee slip of the lamp, as it may be asked for in the event of a dispute.

Thank you.

Robert Juliat reserve the right to change or alter any of the items detailed on this page, to increase or improve manufacturing techniques without prior notice.

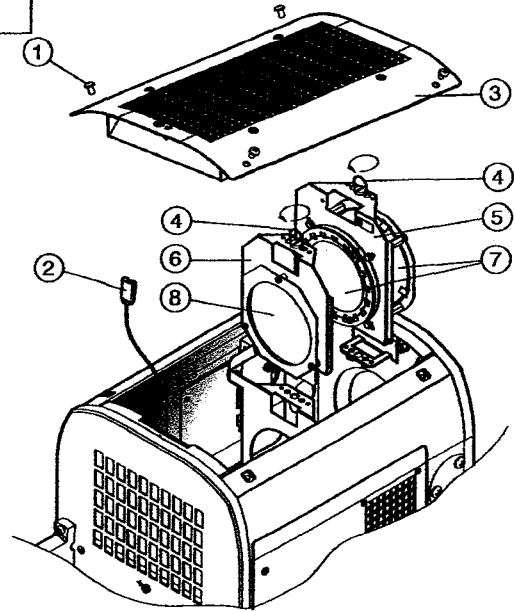
Disconnect from the mains before any servicing.
Service only by qualified technician.

MAINTENANCE

ASPHERIC LENS & REFLECTOR.

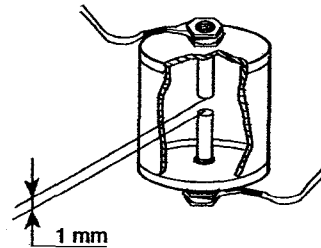
- Disconnect from the mains.
- Unscrew the four screws ① and unplug the Earth link ② then remove the lamp house bonnet ③.
- Unlock ④ and remove the aspheric holder ⑤ and the reflector holder ⑥.
- Clean the lenses ⑦ and the reflector ⑧ with a soft dry cloth.
- Remount all in reverse order.

- Clean in the same way the lenses in the lens tube.
CAUTION : DO NOT TOUCH THE INNER AND OUTER PART OF THE MIRROR WITH BARE HANDS.



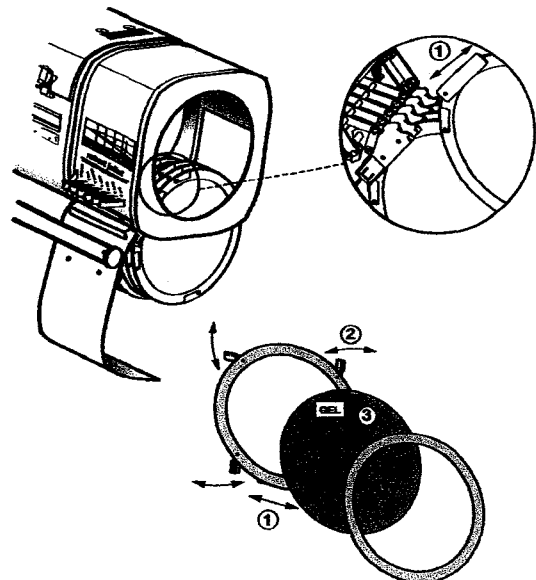
SPARK-GAP.

- Disconnect from the mains.
- Open the lamp house bonnet.
- Check the distance of the electrodes that should be 1mm.
 (If you notice a larger gap, then please contact the ROBERT JULIAT's technical department).

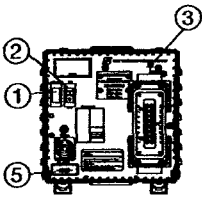


CHANGING THE COLOUR FRAMES AND COLOURS.

- Remove the colour frame from the slot ①.
- For changing a colour, open the 4 clips ②.
- Cut out a colour ③: Ø 207.
- For a longer gel life, it is recommended to place the darker colours towards the front of the followspot and the I.R. filter (set to Cold Beam).



TROUBLE SHOOTING.

OPERATION	SYMPTOMS		POSSIBLE CAUSES	SOLUTIONS
THE POWER SUPPLY UNIT  ① Mains checklight. ② "ON-OFF" switch. ③ Lamp ON, checklight. ⑤ Fuse	No light coming through the lamp house.	Checklight ① does not light up when the power supply unit is connected.	No power.	Check the mains and cable connections + electrical diagram, refer to pages A-5, C-17/18 & C-20/21.
		The checklight ③ does not light up when ① is on.	The switch is OFF.	Repeat the operation, refer to page A7.
		Hard striking.	Automatic breaker and transformer are OFF.	Turn ON the automatic breakers, refer to page A-7.
		The lamp doesn't light up.	Check the Spark-gap.	Refer to page B-1.
		Fuse blown out.	Change the fuse ⑤. Refer to page A-5	
(Checklight ③ off). HEAD	No light coming through the lamp house.	Bad contact. Harting plug power supply / Head.	Check the connections, refer to page A-5.	
		Side trapdoors are not closed.	Make sure the doors are properly closed. Adjust the position of the mini-circuit breaker.	
		Lamp is badly mounted.	Refer to pages A-7 and A-9.	
		Ignition failure. (igniter, Spark-gap).	Refer to page B-1.	
(Checklight ③ on). HEAD	(lamp house lit). No light in the zoom side.	Colour changer unit closed.	Open colour unit at the front of the lighting unit.	
		Iris cassette closed.	Check iris blades are open when turning the handle.	
	Bad quality light beam.	Mirrors and lenses not in right condition or not in place.	Refer to page B-1.	
	No air aspirated or exhausted in the lamp house.	fan is not working.	Refer to page A-5 and A-7.	
	WARNING : Do not use the lighting unit if the fan is not working. (Note: The fan doesn't work until the lamp and checklight ③ are ON.)			

Robert Juliat reserve the right to change or alter any of the items detailed on this page, to increase or improve manufacturing techniques without prior notice.



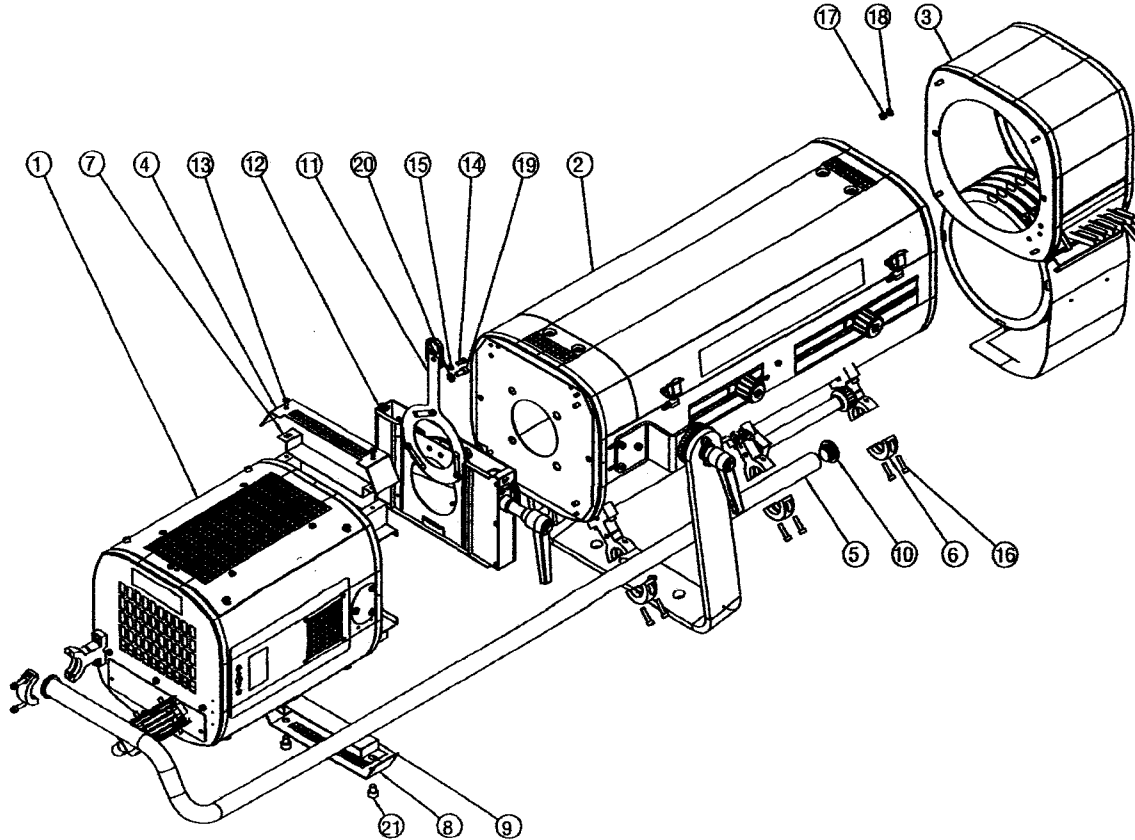
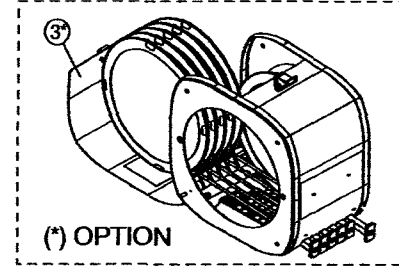
1800W MSR FOLLOW SPOTS

NOMENCLATURE PIECES DETACHEES /
SPARE PARTS LIST.

1159 / 1159 M

Section C - 1

REP	CODE	DESCRIPTION
1	Section C-9	Lanterne / Lamp house.
2	Section C-4	Zoom / Lens tube.
3	1119P30101	Changeur de couleur / 6 way colour changer unit - "Boomerang".
3*	1449P30000	Changeur de couleur / 6 way colour changer unit - "PUSH/PULL" (OPTION).
4	DJ30482602	Cache sup liaison zoom-lanterne / Upper lamp house & lens tube linking cover. (Sauf option guillotine / Except chopper option).
5	DJ30696006	Poignée latérale / Ergonomic handle (Ø25).
6	DJ40694300	Demi-bride / Half attachment.
7	DJ40776800	Aériefère liaison zoom/lanterne / Lamp house & Lens tube linking plate.
8	DJ40931301	Cache liaison zoom/lanterne / Lamp house & lens tube linking cover.
9	DJ40931401	Aériefère dessous liaison zoom/lanterne / Lamp house & Lens tube lower linking plate.
10	DU40695100	Bouchon / Plug (Ø32).
11	FPADIV0030	Porte gobo univ cassette iris / Gobo holder.
12	Section C-15	Cassette iris / Iris cassette (Ø72).
13	VI04010019	Vis / Screw (M4 x 10).
14	VI04010041	Vis / Screw (CHC M4 x 10).
15	VI04030010	Rondelle contact à picot / Contact washer (Ø4).
16	VI05010045	Vis / Screw (CHC M5 x 20).
17	VI05020002	Ecrou / Nut (H M5).
18	VI05030010	Rondelle contact à picot / Contact washer (Ø5).
19	VI06010005	Vis / Screw (CHC M6 x 12).
20	VI06030008	Rondelle contact à picot / Contact washer (Ø6).
21	VI08010020	Vis / Screw (CHC M8 x 10).



Mesures en mm / Measurements are in mm.

Le constructeur se réserve la possibilité de modifier ses matériels sans avis préalable. Les renseignements mentionnés sur cette notice sont donnés à titre indicatif et ne sauraient présenter de caractère contractuel.

Robert Juliat reserve the right to change or alter any of the items detailed on this page, to increase or improve manufacturing techniques without prior notice.



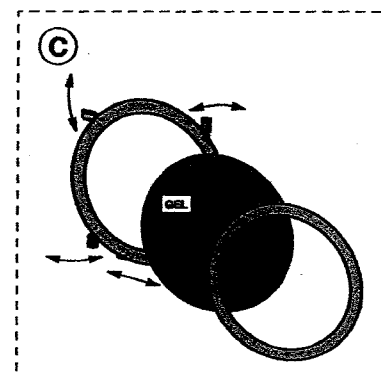
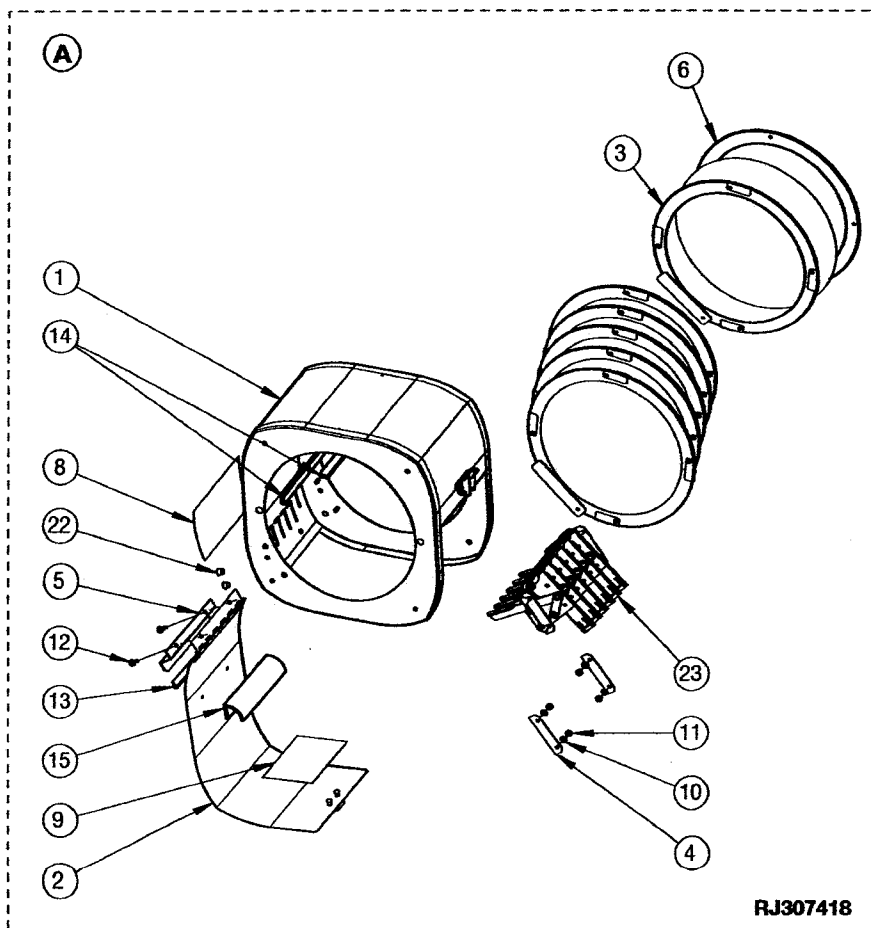
PROJECTEURS POURSUITE MSR 1800W / 1800W MSR FOLLOW SPOTS

NOMENCLATURE PIÈCES DÉTACHÉES /
SPARE PARTS LIST.

1159 / 1159 M

Section C - 2

REP	CODE	DESCRIPTION
A	1119P30101	Ensemble changeur 6 couleurs / Complete 6 way colour changer unit (BOOMERANG).
1	1011P30101	Corps kit couleur / Colour changer unit (250 x 250).
2	1011P30102	Capot kit couleur / Bonnet.
3	1011P30004	Porte-filtre sans rondelle / Filter holder without disk.
4	DJ40584800	Plaque verrouillage kit couleur / Locking plate.
5	DJ40579300	Bûte de capot / Bonnet stopper.
6	DJ30032201	Rondelle porte-gélatines / Filter holder disk (Ø in. 180, Ø ex. 212).
8	DE40691700	Repère couleur aimanté porte-filtre / Colour indicator magnet (Ø210).
9	DE40493300	Étiquette toutes poursuites / General follow spot sticker (HMI GELATINE H-T).
10	VI04030010	Rondelle contact à picot / Contact washer (Ø4).
11	VI04020001	Ecrou / Nut (M4).
12	VI04010012	Vis / Screw (M4 x 8).
13	CF00300038	Profil PVC souple / Plastic protection (L=125).
14	CF00300034	Mousse adhésive / Shock absorber.
15	CF00300040	Caoutchouc adhésif / Rubber shock absorber 180M profil 39 noir
22	ME07060402	Bouchon noir / Black plug (Ø6).
23	1011P30105	Mécanisme gélatine boomerang monté / Mounted filter mechanism.
C	PD10110009	Ensemble porte-filtre (sans filtre) / Complete filter frame (without filter).



Voir aussi section B - 2 /
See also section B - 1.

RJ307418

Dimensions are in mm.

Le constructeur se réserve la possibilité de modifier ses matériels sans avis préalable. Les renseignements
ne doivent pas servir de base à la fabrication de pièces détachées et ne peuvent être utilisés pour la fabrication de
répliques sans autorisation écrite de la société.



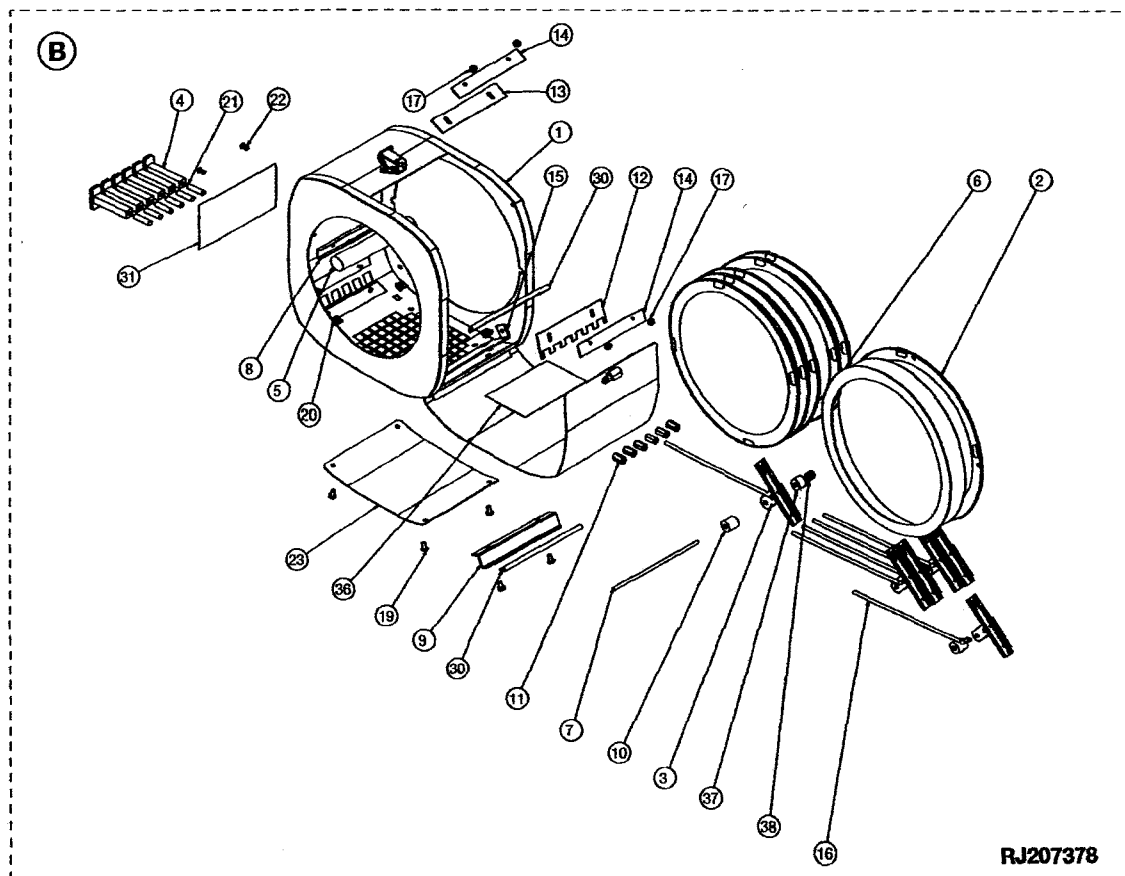
PROJECTEURS POURSUITE MSR 1800W / 1800W MSR FOLLOW SPOTS

NOMENCLATURE PIECES DETACHEES /
SPARE PARTS LIST.

1159 / 1159 M

Section C - 3

REP	CODE	DESCRIPTION
B	1449P30000	Ensemble changeur 6 couleur complet / Complete 6 way colour changer unit (PUSH/PULL).
1	1011P30003	Kit couleur vide / Empty colour changer unit.
2	1011P30004	Porte filtre sans rondelle / Filter holder without disk.
3	1011P30005	Support rondelle gelatine / Filter disk.
4	1011P30006	Tir�ette kit couleurs / Sliding handle.
5	CF00300037	Rondin EPDM cellulaire / Shock absorber (Inner - Ø20 mm).
6	DJ30032201	Rondelle / Disk (Ø210 x 180)
7	DJ40007401	Axe / Axle (Ø4).
8	DJ40011100	U de maintient caoutchouc kit couleur / Shock absorber support.
9	DJ40029700	Pi�e d'arret capot kit couleurs / Shock absorber (Outer).
10	DJ30221907	Entretoise lisse / Spacer (Ø4,1 x Ø14 L15).
11	DJ30222011	Colonnette / Spacer (M4, L=14).
12	DJ40203801	Pi�e de glissement des carr�e de guidage KC / Sliding handle stabler.
13	DJ40203802	Pi�e de glissement des carr�e de guidage KC / Sliding handle stabler.
14	DJ40207901	Plaque presse t�fion kit couleurs / Plastic press plate.
15	DJ40557500	Support g�latine KC / Filter support.
16	DJ40211601	Tiges de manoeuvre KC / Filter axle.
17	VI04020001	Ecrou / Nut (M4).
19	VI04010012	Vis / Screw (M4x 8 - Noir / Black).
20	VI04020009	Ecrou cage / Nut cage (M4)
21	VI06018002	Filet / Handle connection (M6 x 25).
22	VI03240007	Rivet (Ø3,2 x 8).
23	DJ40482400	Cache pour corps kit couleur / Cover.
30	CF00300038	Profil PVC souple / Plastic protection (L=125).
31	DE40691700	Rep�re de couleur aimant� pour porte-filtre / Colour indicator magnet (Ø210).
36	DE40493300	Etiquette pour tous projecteurs poursuite / General follow spot sticker (GELATINE H-T).
37	DJ30221968	Entretoise lisse / Spacer (Ø4,1x Ø14 x L=10).
38	DT40280801	Ressort 5 spires / Spring (Ø7,5 ; L=10).



RJ207378

mesures en mm / Measurements are in mm.

Le constructeur se r serve la possibilit  de modifier ses mat riels sans avis pr alable. Les renseignements mentionn s sur cette notice sont donn s   titre indicatif et ne sauraient pr senter de caract re contractuel.

Robert Juliat reserve the right to change or alter any of the items detailed on this page, to increase or improve manufacturing techniques without prior notice.



PROJECTEURS POURSUITE MSR 1800W / 1800W MSR FOLLOW SPOTS

NOMENCLATURE PIECES DETACHEES /
SPARE PARTS LIST.

1159 / 1159 M

Section C - 4

REP	CODE	DESCRIPTION
A		Zoom complet / Complete lens tube.
1	1119P20005	Porte lentille avant monté avec lentille / Front lens holder with lens.
2	1119P20010	Porte lentille arrière monté avec lentille / Rear lens holder with lens.
3	1159P20002	Corps + capot de zoom / Complete lens tube hood.
4	1159P20004	Déport de fourche / Yoke bracket.
5	1159P20007	Fourche Droite / Straight yoke.
6	1159P20008	Kit porte verres / Filter holder (Ø97).
7	1159P20010	Obturbateur Manuel Droit / Mechanical shutter.
8	BO04010001	Bouton borne femelle / Female knob.
9	BO06000014	Bouton moleté / Focusing knob.
10	BO06010001	Bouton borne femelle Female knob (Ø15, M6).
11	CTM0200009	Courroie Dentée / Toothed belt.
12	CTM0300002	Poulie dentée / Toothed wheel (T2.5 L=4 14 dents).
13	DJ30226218	Tige / Rod (L=652).
14	DJ30694101	Cache pour courroie / Belt cover.
15	DJ30694201	Support poignée / Handle holder (Ø30).
16	DJ30694203	Support de poignée / Handle holder (Ø30).
17	DJ40095817	Guide de blocage / Blocking plate (L=210).
18	DJ40095822	Guide de blocage / Blocking plate (L=310).
19	DJ40555600	Bride de maintien câble / Cable lock.
20	DJ40694400	Bride support de poignée / Attach support (Ø30).
21	DJ40694701	Support de cache courroie / Belt protection.
22	DJ40797650	Renfort pour fourche réglable / Reinforcement for adjustable yoke.
23	DJ40800800	Cache oblong / Cover.
24	DJ40927301	Liason gauche de fourche / Left yoke linking plate.
25	DU30222015	Colonnette / Spacer (FF, M4, L=35).
26	DU30222030	Colonnette / Spacer (FF, M6, L=19).
27	DU40032605	Canon de fourche / Bearing.
28	DU40477700	Canon pour blocage de fourche / Yoke blocking bearing.
29	DU40694801	Axe pour molette / Axle (M6, L=40).
30	DU40694802	Axe pour molette / Axle (M6, L=23).
31	DU40695000	Vernier sur molette / Sliding gauge on roller.
32	DU40695901	Molette de commande / Control handle (Ø18).
33	PO00000025	Poignée débrayable / Fast locking handle (M10).
34	VI04010006	Vis / Screw (M4 x 6).
35	VI04010012	Vis / Screw (M4 x 8).
36	VI04010013	Vis / Screw (M4 x 8).
37	VI04010065	Vis sans tête à bout plat / Flat headless screw (M4x 6).
38	VI04010071	Vis sans tête à bout cuvette / Headless screw (HC M4 x 6).
39	VI04020004	Ecrou / Nut (M4).
40	VI04030010	Rondelle contact à picot / Contact washer (Ø4).
41	VI04040005	Rivet (TP MULTI Ø4 x 10).
42	VI05010029	Vis / Screw (CHC M5 x 10).
43	VI05010046	Vis / Screw (CHC M5 x 25).
44	VI05030007	Rondelle plate / Washer (Ø5).
45	VI06010018	Vis / Screw (H M6x 60).
46	VI06020012	Ecrou frein fendu / Locknut. (M6).
47	VI06030001	Rondelle plate / Washer (Ø6.4x12x0.5).
48	VI06030003	Rondelle plate / Washer (Ø6).
49	VI10010018	Vis / Screw (H M10 x 35).
50	VI10030003	Rondelle plate / Washer (Ø10).
51	VI10030009	Rondelle / Washer ("Belleville" Ø10).

Dessin sur page C - 5 / Drawing on page C - 5.

B		Ensemble fourche / Complete yoke.
1	1159P20004	Déport de fourche / Yoke extension.
2	PO00000025	Poignée débrayable / Fast locking handle (M10).
3	DJ30414907	Fourche droite / Straight yoke.
4	DU30482100	Cône mâle / Male disk.
5	DU40477700	Canon pour blocage de fourche / Yoke blocking bearing.
6	VI06010012	Vis / Screw (M6 x 20).
7	VI06030003	Rondelle plate / Washer (Ø6).
8	VI10030009	Rondelle / Washer ("Belleville" Ø10).
9	DJ40434101	Index de fourche / Yoke index.

Dessin sur page C - 5 / Drawing on page C - 5.

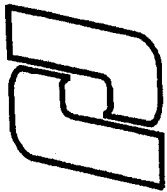
C	PD10170012	Fourche renforcée orientable / Heavy duty adjustable yoke.
1	DJ30607400	Tube fourche / Yoke tube.
2		Disque / Disk.
3		Demi-bride fourche / York platform.
4		Renfort de bride / Reinforcement support.
5	DJ30645400	Bras orientable / Directional arm.
6		Pivot à sertir / Arm axle.
7	DU30482100	Cône mâle / Male axle.
8	DJ40434101	Index de fourche / Yoke index.
9	DU40022200	Palier delrin / Plastic stud.
10	VI06030003	Rondelle plate / Washer (Ø6).
11	VI06010012	Vis / Screw (M6 x 20).
12	VI08010022	Vis / Screw (M8 x 16).
13	VI08030008	Rondelle / Washer (Ø8).

Le constructeur se réserve la possibilité de modifier ses matériels sans avis préalable. Les renseignements mentionnés sur cette notice sont donnés à titre indicatif et ne sauraient présenter de caractère contractuel.

The manufacturer reserves the right to change or alter any of the items detailed on this notice, to increase or improve manufacturing techniques without prior notice.

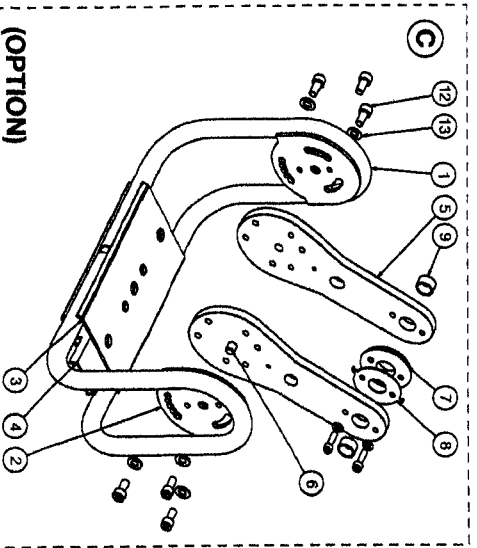
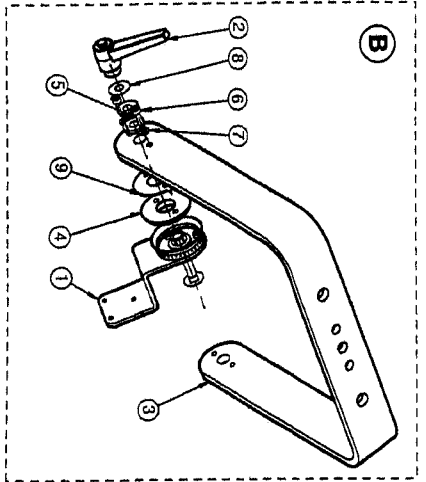
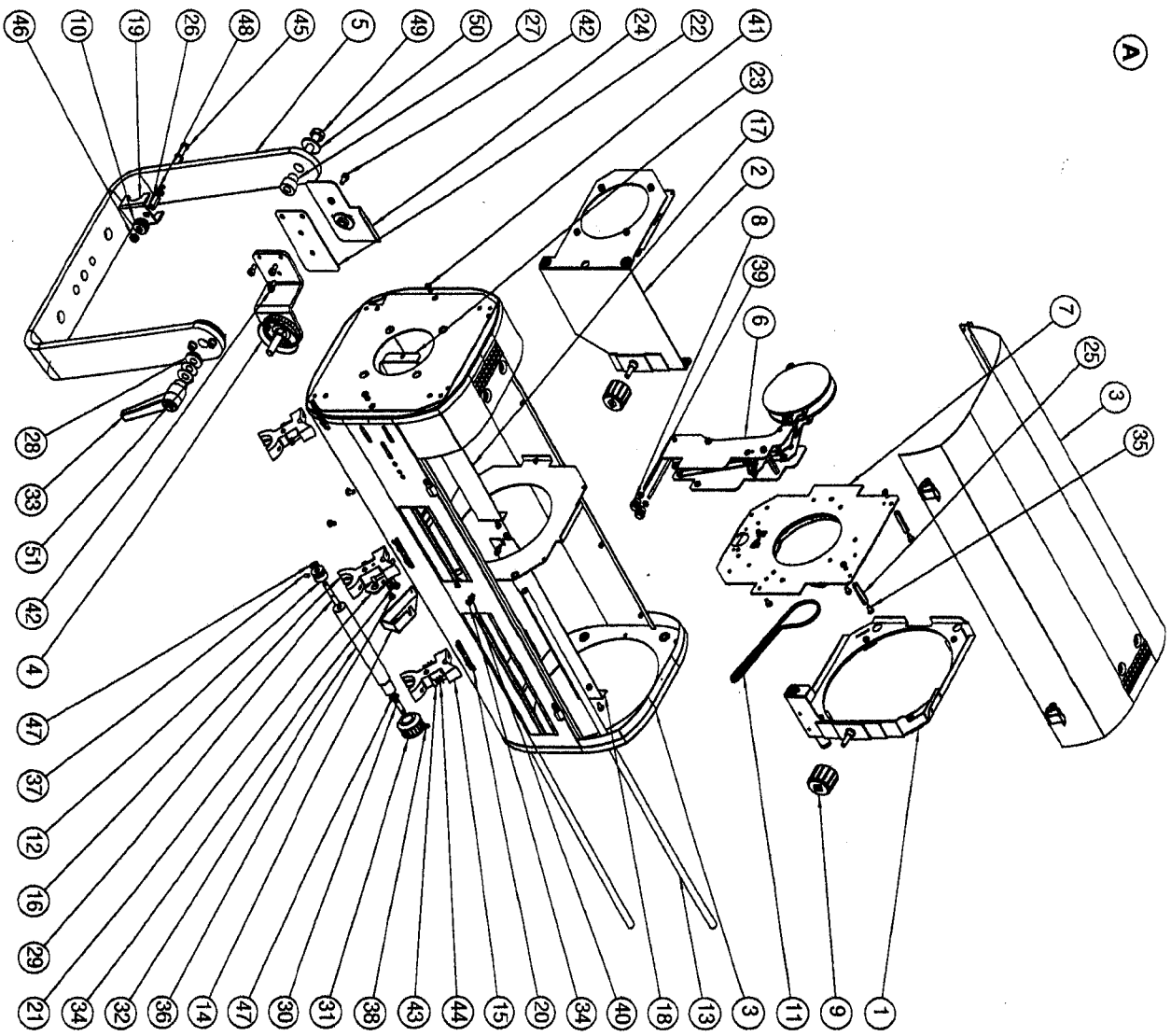
Mesures en mm / Measurements are in mm.

esures en mm / Measurements are in mm.



**PROJECTEURS POURSUITE MSR 1800W /
1800W MSR FOLLOW SPOTS**
NOMENCLATURE PIÈCES DETACHÉES /
SPARE PARTS LIST.

1159 / 1159 M
Section C - 5



bert Juliat reserve the right to change or alter any of the items detailed on this
ge, to increase or improve manufacturing techniques without prior notice.

Le constructeur se réserve la possibilité de modifier ses matériels sans avis préalable. Les renseignements
mentionnés sur cette notice sont donnés à titre indicatif et ne sauraient présenter de caractère contractuel.



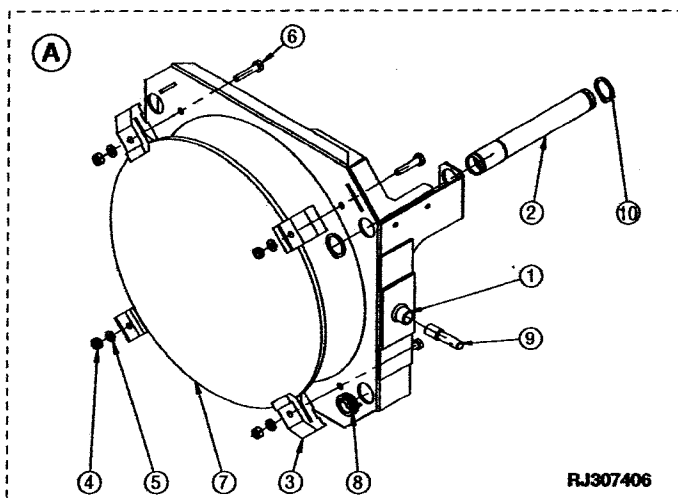
PROJECTEURS POURSUITE MSR 1800W / 1800W MSR FOLLOW SPOTS

NOMENCLATURE PIÈCES DÉTACHÉES /
SPARE PARTS LIST.

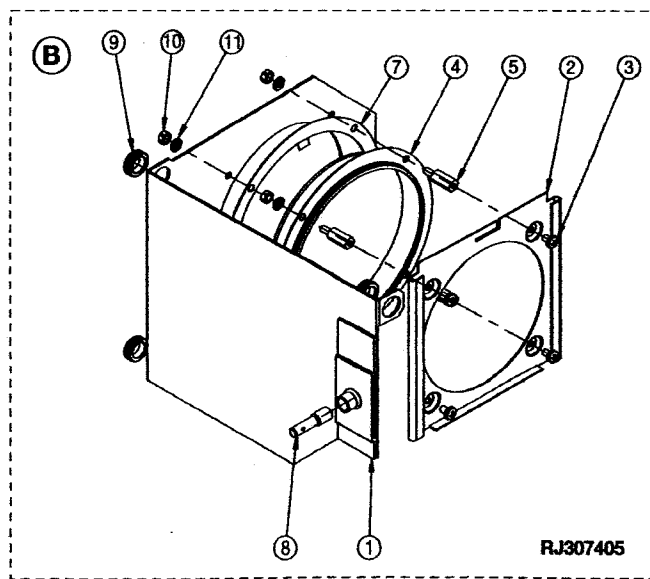
1159 / 1159 M

Section C - 6

REP	CODE	DESCRIPTION
A	1119P20005	Ensemble porte-lentille AV / <i>Front lens holder.</i>
1	900P023003	Porte-lentille avant / <i>Front lens holder</i>
2	DU40454400	Foureaux guidage lentilles / <i>Lens holder guide.</i>
3	DU40423601	Pince lentille / <i>Lens holder.</i>
4	VI04020001	Ecrou / <i>Nut (M4).</i>
5	VI04030010	Rondelle contact à picot / <i>Contact washer (Ø4).</i>
6	VI04010053	Vis / <i>Screw (M4 x 20).</i>
7	OP20010002	Lentille / <i>Lens (Ø200, R320).</i>
8	DU40754800	Palier fendu pour porte lentille / <i>Ring bearing.</i>
9	DU40063800	Tige porte bouton / <i>Knob axle.</i>
10	VI14050001	Circlips extérieur / <i>Outer clips (Ø14).</i>



B	1119P20010	Ensemble porte-lentille AR / <i>Rear lens holder.</i>
1	1119P20001	Porte lentille arrière / <i>Rear lens holder.</i>
2	FPADIV0025	Porte verre dépoli / <i>Frosted glass holder.</i>
3	VI04010006	Vis / <i>Screw (M4 x 6).</i>
4	DJ40450802	Rondelle porte lentille / <i>Lens disk (Ø110).</i>
5	DU30222138	Colonnette / <i>Spacer (MF M4, L=15).</i>
6	OP11010004	Lentille / <i>Lens (PC Ø110 R150 VX).</i>
7	DJ40505000	Rondelle de pression / <i>Washer.</i>
8	DU40063800	Tige porte bouton / <i>Knob axle.</i>
9	DU40754800	Palier PTFE fendu pour porte lentille / <i>Ring bearing.</i>
10	VI04020001	Ecrou / <i>Nut (M4).</i>
11	VI04030010	Rondelle contact à picot / <i>Contact washer (Ø4).</i>



mesures en mm. / Measurements are in mm.

Le constructeur se réserve la possibilité de modifier ses matériels sans avis préalable. Les renseignements mentionnés sur cette notice sont donnés à titre indicatif et ne sauraient présenter de caractère contractuel.

The manufacturer reserves the right to change or alter any of the items detailed on this notice, to increase or improve manufacturing techniques without prior notice.



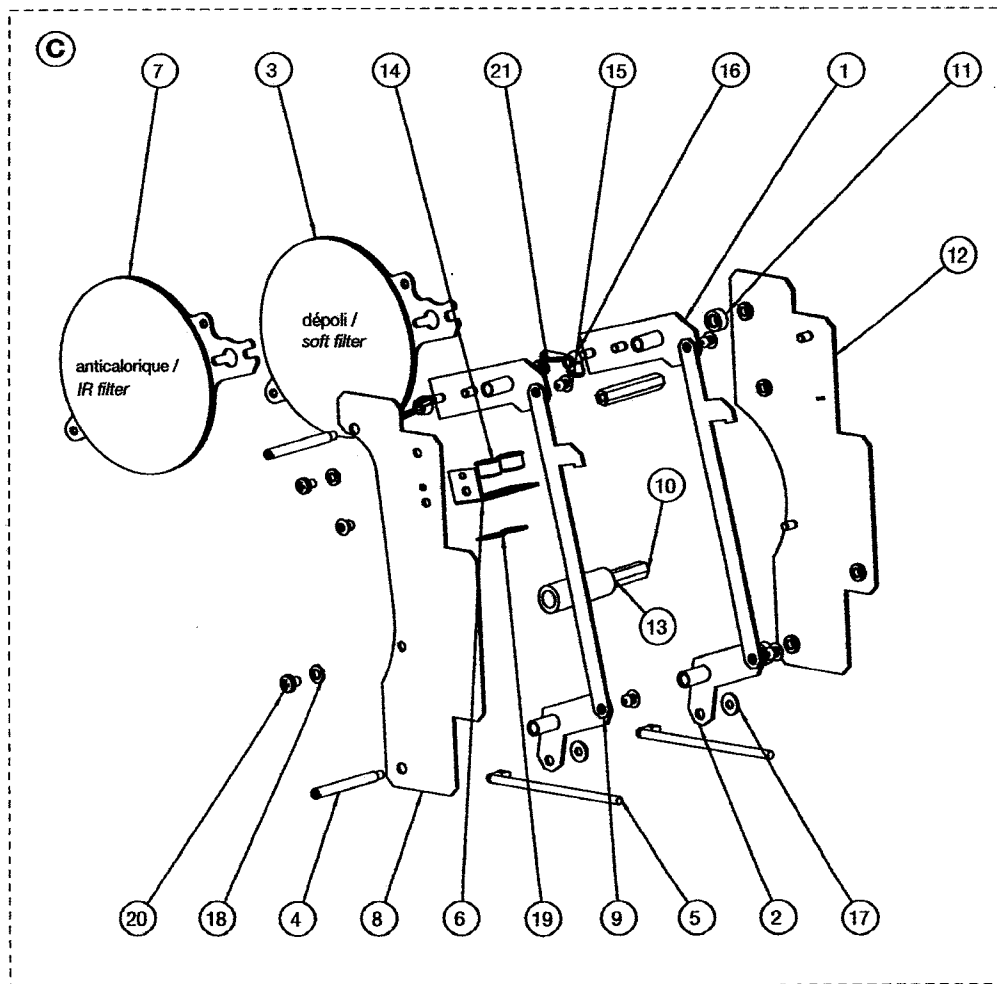
PROJECTEURS POURSUITE MSR 1800W / 1800W MSR FOLLOW SPOTS

NOMENCLATURE PIECES DETACHEES /
SPARE PARTS LIST.

1159 / 1159 M

Section C - 7

REP	CODE	DESCRIPTION
C	1159P20008	Ensemble dépoli basculant / <i>Soft filter holder with flip lever.</i>
1	DJ40923751	Porte verre / <i>Filter holder.</i>
2	DJ40923951	Levier de manoeuvre / <i>Lever arm.</i>
3	1159P20005	Porte verre dépoli / <i>Soft filter holder (Ø97).</i>
4	DJ40929400	Axe pivot / <i>Axle (Ø5 M4).</i>
5	DJ40929500	Tige de manoeuvre / <i>Lever arm (L=85, M4).</i>
6	DJ40929300	Porte plot magnétique / <i>Magnet pot holder.</i>
7	1159P20006	Porte verre anticalorique / <i>IR filter holder (Ø97).</i>
8	DJ40927400	Contre flasque / <i>Counter plate.</i>
9	DJ40923800	Bielle / <i>Arm support.</i>
10	DJ30222016	Colonnnette / <i>Spacer (FF M4 6 Pans 7 L=40).</i>
11	DJ30221911	Entretoise lisse / <i>Spacer (Ø5,2 x Ø10, L=4,5).</i>
12	DJ40924051	Flasque porte verres / <i>Filter holder counter plate.</i>
13	ME10010221	Manchon silicone / <i>Silicone protection.</i>
14	CF00100041	Plot magnétique / <i>Magnet pot (ARELEC IN10 - Ref 0171078).</i>
15	VI04040022	Rivet (TP MULTI Ø4 x 6).
16	VI04020014	Ecrou à oreilles / <i>Wing nut (M4).</i>
17	VI04030009	Rondelle plate / <i>Washer (Ø4 x 10 x 1).</i>
18	VI04030010	Rondelle contact à picot / <i>Contact washer (Ø4).</i>
19	VI10050001	Circlips / <i>Clip (Ø10).</i>
20	VI04010006	Vis / <i>Screw (M4 x 6).</i>
21	VI04020017	Ecrou frein fendu / <i>Locknut (M4).</i>



s en mm / Measurements are in mm.

Le constructeur se réserve la possibilité de modifier ses matériels sans avis préalable. Les renseignements mentionnés sur cette notice sont donnés à titre indicatif et ne sauraient présenter de caractère contractuel.

Luilat reserve the right to change or alter any of the items detailed on this notice without prior notice. Increase or improve manufacturing techniques without prior notice.



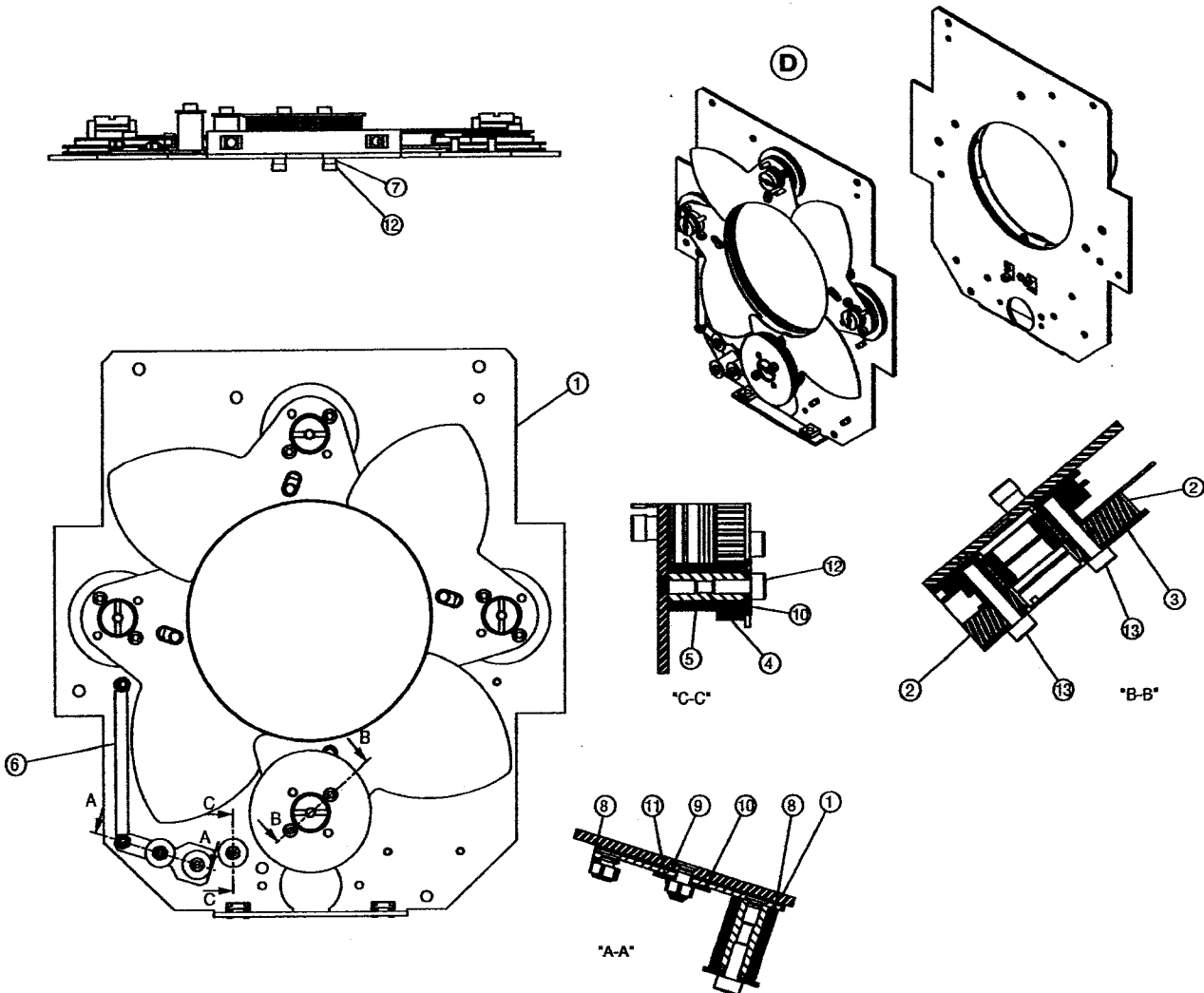
PROJECTEURS POURSUITE MSR 1800W / 1800W MSR FOLLOW SPOTS

NOMENCLATURE PIÈCES DÉTACHÉES /
SPARE PARTS LIST.

1159 / 1159 M

Section C - 8

REP	CODE	DESCRIPTION
D	1159P20010	Ensemble obturateur manuel / <i>Complete mechanical dimmer (Ø100).</i>
1	1159P20009	Commun d'obturateur / <i>Shutter (Ø100)</i>
2	DU40793300	Roue dentée 60 dents / <i>60 teeth gear.</i>
3	DJ40793400	Flasque / <i>Flange.</i>
4	DU40704500	Axe support volet / <i>Axle support.</i>
5	DU40793100	Galet tendeur / <i>Idler roller.</i>
6	DT40637200	Ressort de rappel / <i>Spring.</i>
7	DU30221970	Entretoise lisse / <i>Spacer (Ø3,2 x Ø5 L=5,5).</i>
8		Tendeur à courroie / <i>Blet.</i>
9	VI03230001	Rondelle plate / <i>Washer (Ø 3,2 x 6 x 0,5).</i>
10	VI03030006	Rondelle plate / <i>Washer (Ø3).</i>
11	VI03020003	Ecrou autofreiné à bague nylon / <i>Nylon ring self-locking nut (M3).</i>
12	VI03010007	Vis / <i>Screw (CHC M3 x 8).</i>
13	VI03010042	Vis / <i>Screw (CHC M3 x 16).</i>



Le constructeur se réserve la possibilité de modifier ses matériels sans avis préalable. Les renseignements mentionnés sur cette notice sont donnés à titre indicatif et ne sauraient présenter de caractère contractuel.

ments are in mm.

to change or alter any of the items detailed on this manufacturing techniques without prior notice.



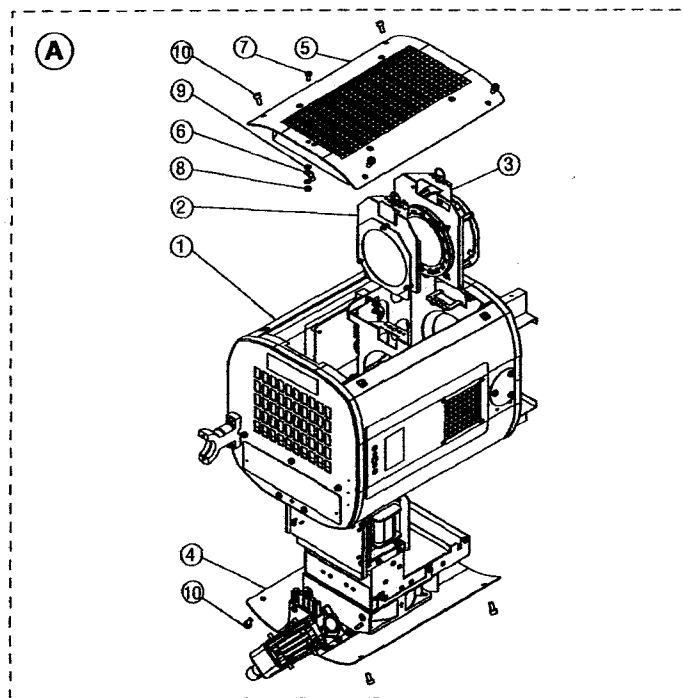
PROJECTEURS POURSUITE MSR 1800W / 1800W MSR FOLLOW SPOTS

NOMENCLATURE PIECES DETACHEES /
SPARE PARTS LIST.

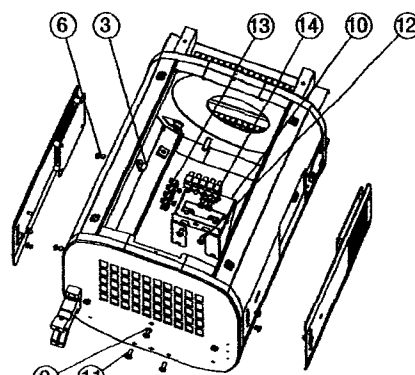
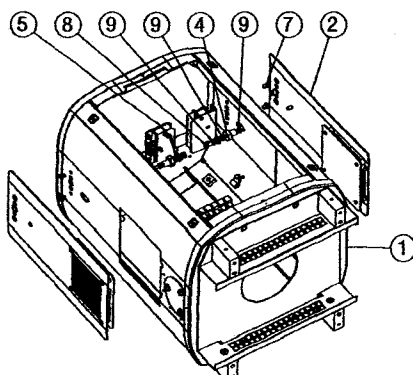
1159 / 1159 M

Section C - 9

REP	CODE	DESCRIPTION
A		Lanterne complet / Complete lamp house.
1	Section C-9	Habillage interieur lanterne / Inner lamp house dressing.
2	1149P10002	Porte miroir / Mirror holder.
3	1149P10003	Porte asphérique / Aspheric lens holder.
4	Section C-13	Trappe / Lamp compartment (1800W).
5	1159P10009	Aériefère de lanterne / Cover.
6	ME08030305	Clip (6.35 Fast On).
7	VI04010019	Vis / Screw (M4x10).
8	VI04020001	Ecrou / Nut (H M4).
9	VI04030010	Rondelle contact à picot / Contact washer (Ø4).
10	VI05010029	Vis / Screw (CHC M5 x 10).



1		Corps de lanterne / Lamp housing.
2	1149P10005	Préparation trappe coté lanterne / Lamp house side trapdoor.
3	ME07060101	Clips serre cable / Cable gland clips.
4	DU40786700	Axe de guidage / Axle guide (M4).
5	1149P10006	Préparation mini rupteur / Microswitch.
6	VI04040005	Rivet (TP MULTI Ø4 x 10).
7	VI04040022	Rivet (TP MULTI Ø4 x 6).
8	VI04010055	Vis / Screw (H M4 x 8).
9	VI04030010	Rondelle contact à picot / Contact washer (Ø4).
10	DJ30922251	Liaison a la trappe / Trapdoor link.
11	VI04010019	Vis / Screw (M4x10).
12	VI04011003	Vis à tôle / Tapping screw CBLZ Ø4,2 x 9,5).
13	ME06300014	Languette / Terminal connector.
14	COU0005128	Connecteur male / Male connector WIELAND ST18/5).

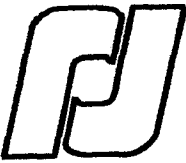


Associated electrical diagram /
Plan électrique associé :
Section C - 10

ures en mm / Measurements are in mm.

Le constructeur se réserve la possibilité de modifier ses matériels sans avis préalable. Les renseignements mentionnés sur cette notice sont donnés à titre indicatif et ne sauraient présenter de caractère contractuel.

bert Juliat reserve the right to change or alter any of the items detailed on this notice in accordance with increasing manufacturing techniques without prior notice.



**PROJECTEURS POURSUITE MSR 1800W /
1800W MSR FOLLOW SPOTS**

**NOMENCLATURE PIECES DETACHEES /
SPARE PARTS LIST.**

1159 / 1159 M

Section C - 10

MODIFICATIONS

Indice	Description	Date	Nom
<p>Connecteur Trappe Projecteur projector lamp tray connector (COU0005128)</p> <p>Phase Sécurité security phase Neutre Sécurité security return Terre earth</p> <p>1 3 1 3</p> <p>Protection Accès Lampe Gauche left lamp house side trapdoor microswitch Protection Accès Lampe Droite right lamp house side trapdoor microswitch (ME04200001)</p>			

Rep	ref. BE	ref. silog	DESCRIPTION
-----	---------	------------	-------------

VICTOR
CORPS 1800W MANUELLE
MANUAL VICTOR LIGHTING UNIT

SCHEMA DE PRINCIPE
GENERAL DIAGRAM

Dessiné par : JMH	Indice : -	Date : 20.12.07	Vérifié par :
----------------------	---------------	--------------------	---------------

Nota :	Folio : 1 / 1
--------	------------------

RJ20922331

Ce plan appartient à la société robert juliat. La reproduction totale ou partielle sans accord spécifique est strictement interdite.
ROBERT JULIAT route de Beaumont F 60530 Fresnoy en Thelle tel.: +33(0)3.44.26.51.89 fax: +33(0)3.44.26.89.10 email:bemeca@roberjuliat.fr

ures en mm / Measurements are in mm.

Le constructeur se réserve la possibilité de modifier ses matériels sans avis préalable. Les renseignements mentionnés sur cette notice sont donnés à titre indicatif et ne sauraient présenter de caractère contractuel.

Robert Juliat reserve the right to change or alter any of the items detailed on this manual, to increase or improve manufacturing techniques without prior notice.



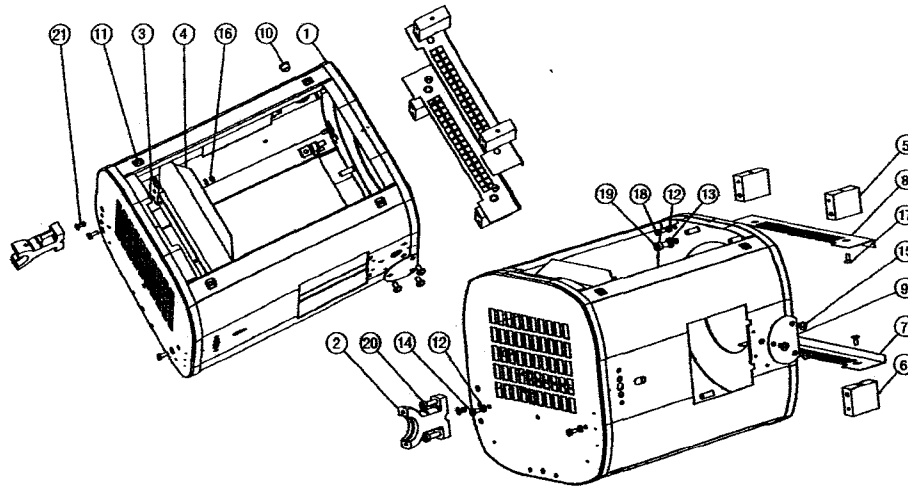
PROJECTEURS POURSUITE MSR 1800W / 1800W MSR FOLLOW SPOTS

NOMENCLATURE PIÈCES DÉTACHÉES /
SPARE PARTS LIST.

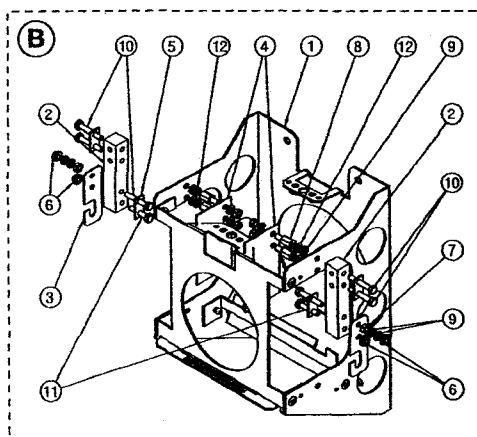
1159 / 1159 M

Section C - 11

REP	CODE	DESCRIPTION
1	1159P10006	Carrossier / Lamp housing.
2	DJ30694202	Support de poignée usiné sans perçage / Handle support (Ø30).
3	DJ40694400	Bride support de poignée / Handle backplate (Ø30).
4	DJ40924401	Doublage de lanterne / Lamp house doubling.
5	DU40479200	Entretoise zoom lanterne / Lens tube/Lamp house strut.
6	DJ40931101	Entretoise Zoom-Lanterne Bas / Lower Lens tube/Lamp house strut.
7	DJ30482501	Glissière inf cassette iris / Iris cassette lower slot.
8	DJ30482502	Glissière sup cassette iris / Iris cassette upper slot.
9	DJ40396902	Cache trous fixation fourche / Yoke hole plug.
10	DU40064000	Bouchon / Plug (M10).
11	VI05020006	Ecrou cage / Nut cage (M5).
12	VI04030010	Rondelle contact à picot / Contact washer (Ø4).
13	VI06030008	Rondelle contact à picot / Contact washer (Ø6).
14	VI04010019	Vis / Screw (M4 x 10).
15	VI05010004	Vis / Screw (M5 x 8).
16	VI04020001	Ecrou / Nut (H M4).
17	VI04010016	Vis / Screw (TF HC M4 x 10).
18	VI04010041	Vis / Screw (CHC M4 x 10).
19	VI06010005	Vis / Screw (CHC M6 x 12).
20	VI05010045	Vis / Screw (CHC M5 x 20).
21	VI04040005	Rivet (TP MULTI Ø4 x 10).



B	1159P10005	Berceau optique complet / Complete optical unit.
1		Berceau Optique / Optical unit.
2	DU40073800	Isolant de douille / Insulated socket.
3	DJ40029400	Contact lampe / Lamp contact.
4	DJ40786300	Cache isolant / Insulated plate.
5	DJ40124300	Plaque de serrage isolant de douille / Socket insulated tightening part.
6	VI04020015	Ecrou / Nut (HE M4).
7	VI04020002	Ecrou / Nut (H M4).
8	DU30222140	Colonne / Spacer (MF M4, L=10).
9	VI04030010	Rondelle contact à picot / Contact washer (Ø4).
10	VI04010040	Vis / Screw (H M4 x 25).
11	VI04010032	Vis / Screw (H M4 x 20).
12	VI04030001	Rondelle plate / Washer (Ø4).



sure en mm / Measurements are in mm.

Le constructeur se réserve la possibilité de modifier ses matériels sans avis préalable. Les renseignements mentionnés sur cette notice sont donnés à titre indicatif et ne sauraient présenter de caractère contractuel.

The manufacturer reserves the right to change or alter any of the items detailed on this notice. The information mentioned on this notice is given for information only and should not be taken as contractual.



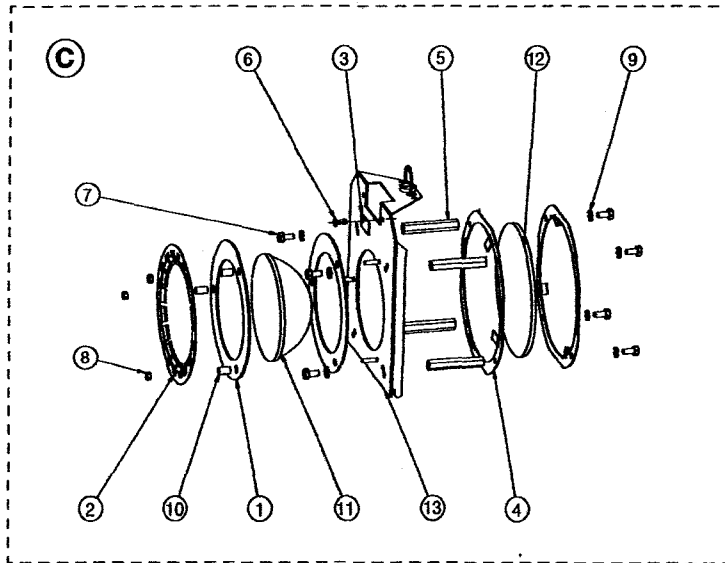
PROJECTEURS POURSUITE MSR 1800W / 1800W MSR FOLLOW SPOTS

NOMENCLATURE PIÈCES DÉTACHÉES /
SPARE PARTS LIST.

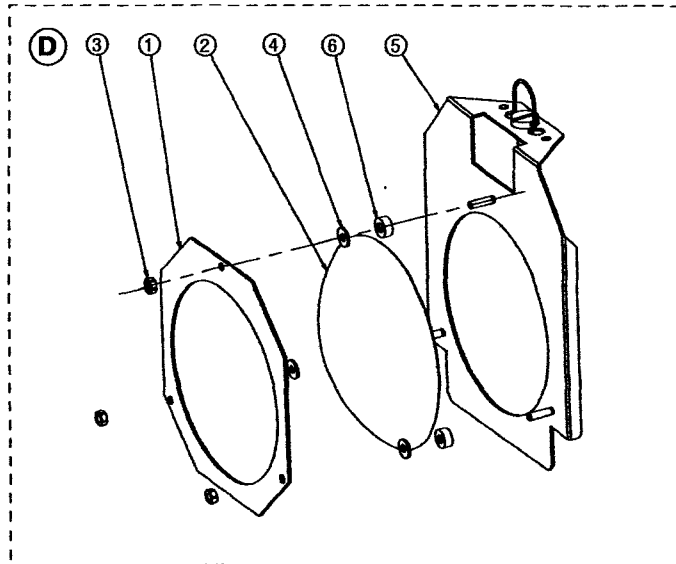
1159 / 1159 M

Section C - 12

REP	CODE	DESCRIPTION
C	1149P10003	Ensemble porte asphérique / Complete lens holder.
1	DJ40440100	Rondelle de maintien asphérique / Lens disk support (Ø80).
2	DJ40440200	Rondelle de pression asphérique / Lens spring washer.
3	DJ40461900	Plaque signalitique pour condenseur / Condenser ID plate.
4	DT40425800	Rondelle porte lentille / Lens washer holder (Ø100).
5	DU30222016	Colonnette / Spacer (FF M4, L=40).
6	VI03240007	Rivet (Ø3,2 x 8).
7	VI04010055	Vis / Screw (M4 x 8).
8	VI03020001	Ecrou / Nut (M3).
9	VI04030010	Rondelle contact à picot / Contact washer (Ø4).
10	DU30221963	Entretoise lisse / Spacer (Ø3,5 x Ø5 L=8).
11	OP08020002	Lentille asphérique / Aspheric lens (Ø80 F59).
12	OP10040002	Lentille / Lens (BCX Ø100 R256 R256).
13	DJ30796500	Support asphérique avec quart de tour / Lens holder with lock.



D	1149P10002	Ensemble porte miroir / Complete reflector holder.
1	DJ40504600	Plaque de retenu miroir / Reflector plate.
2	MI00000002	Reflecteur sphérique / Reflector retainer (R60, Ø90).
3	VI03020001	Ecrou / Nut (M3).
4	VI03030004	Rondelle plate / Washer (Ø3).
5	DJ30796400	Porte miroir avec quart de tour / Reflector holder with lock.
6	DU30221938	Entretoise lisse / Spacer (Ø3,2 x Ø8 L=3,5).



esures en mm / Measurements are in mm.

Le constructeur se réserve la possibilité de modifier ses matériels sans avis préalable. Les renseignements mentionnés sur cette notice sont donnés à titre indicatif et ne sauraient présenter de caractère contractuel.

Robert Juliat reserve the right to change or alter any of the items detailed on this notice, to increase or improve manufacturing techniques without prior notice.



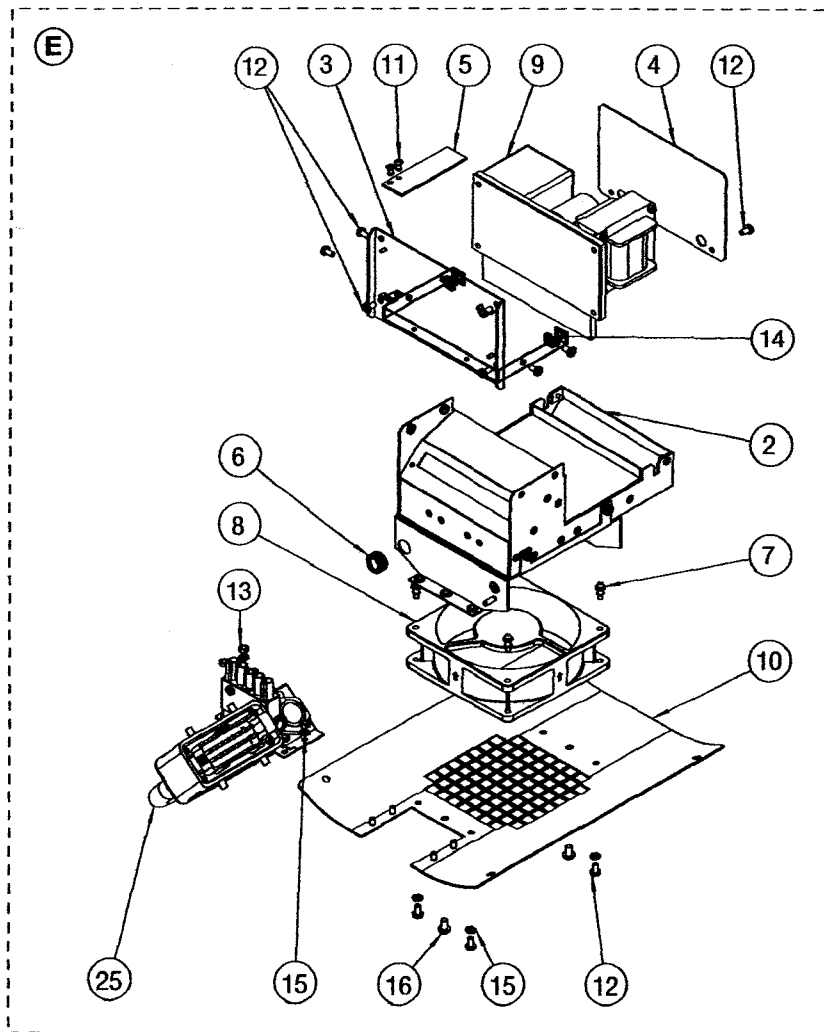
PROJECTEURS POURSUITE MSR 1800W / 1800W MSR FOLLOW SPOTS

NOMENCLATURE PIÈCES DÉTACHÉES /
SPARE PARTS LIST.

1159 / 1159 M

Section C - 13

REP	CODE	DESCRIPTION
E	1159P10004	Trappe inférieure lanterne / Lower lamp house trapdoor.
1	1159P10001	Cordon préparé / Prepared cable.
2	1159P10002	Répartiteur d'air / Air distribution unit.
3	DJ30796200	Support amorceur / Igniter holder.
4	DJ40795000	Isolant pour amorceur / Insulating for igniter.
5	DJ40914501	Protection arcage / Plate protection.
6	ME07100301	Passerelle caoutchouc / Rubber wire protection (Ø9,5).
7	ME14000002	Fixation amortisseur / Fixing shock absorber (FEA001).
8	ME14220202	Ventilateur / Fan (230VAC).
9	ME15100020	Amorceur à Chaud / Hot restrike igniter (MSR 1800W).
10	RJ30922751	Capot dessous de lanterne / Trapdoor cover.
11	VI03240007	Rivet (TP MULTI Ø3,2 x 8).
12	VI04010012	Vis / Screw (M4 x 8).
13	VI04020001	Ecrou / Nut (H M4).
14	VI04020009	Ecrou cage / Nut cage (M4).
15	VI04030010	Rondelle contact à picot / Contact washer (Ø4).
16	VI05010004	Vis / Screw (M5 x 8).



Associated electrical diagram /
Plan électrique associé :
Section C - 14

Measures in mm. / Measurements are in mm.

Le constructeur se réserve la possibilité de modifier ses matériels sans avis préalable. Les renseignements mentionnés sur cette notice sont donnés à titre indicatif et ne sauraient présenter de caractère contractuel.



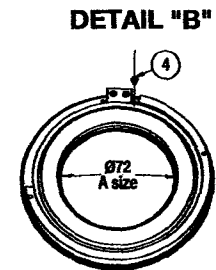
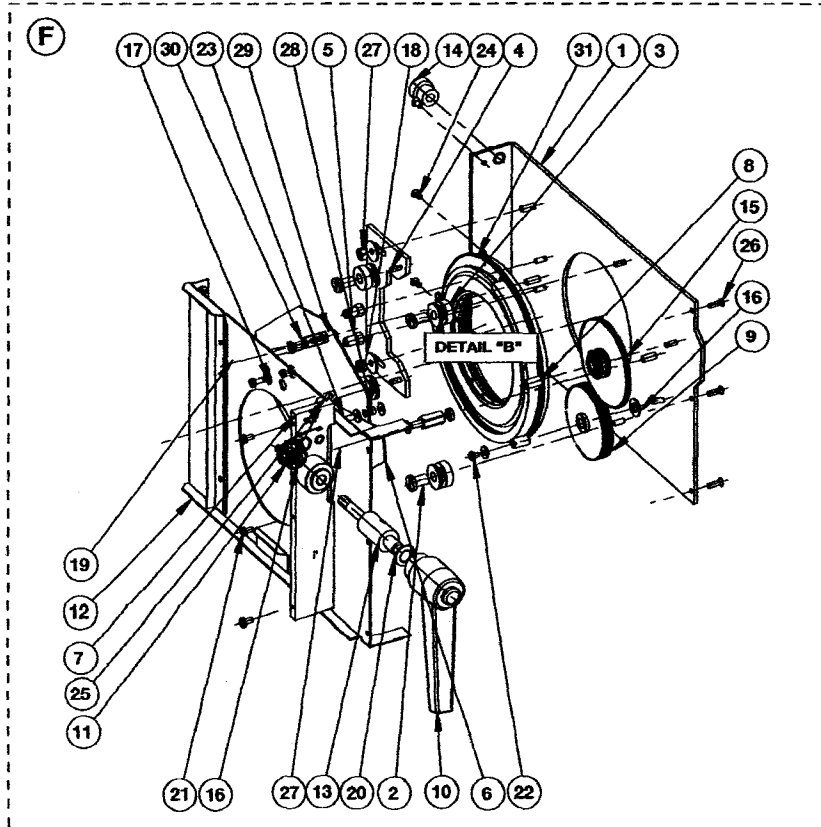
PROJECTEURS POURSUITE MSR 1800W / 1800W MSR FOLLOW SPOTS

NOMENCLATURE PIECES DETACHEES /
SPARE PARTS LIST.

1159 / 1159 M

Section C - 15

REP	CODE	DESCRIPTION
F	FPAIRIS019	Ensemble cassette iris montée / Complete black-out iris cassette.
1	DJ30659250	Platine cassette iris / Iris main plate.
2	DU40659100	Axe galet de guidage / Roller axle.
3	DU40659000	Galet de guidage en téflon / Teflon roller.
4	DJ40659550	Plaque porte galets mobiles / Mobile roller support.
5	DU40659300	Colonnette point fixe iris / Strut fixing point for iris.
6	DJ40659400	Volets protège lames / Protection blades.
7	DU40659800	Ensemble côté commande avec palier serti / Side unit control with crimped bearing.
8	DU40478200	Axe de roue dentée / Gear axle.
9	DU40659600	Pignon intermédiaire 96 dents / 96 gear (module 0,5).
10	PO00000028	Poignée débrayable noire femelle / Female black fast locking handle (M8).
11	DU40231500	Pignon conique 18 dents / 18 teeth gear (module 1).
12	DJ40797900	Plaque de maintien soudée / Welded plate.
13	DU40638700	Axe de manoeuvre / Driving axle.
14	BO06010001	Bouton borne femelle / Female end knob (Ø15, M6).
15	DU40088600	Roue 120 dents avec pignon conique serti / 120 teeth gear with crimped gear.
16	VI06030002	Rondelle plate / Washer (Ø6 x12 x 0.8).
17	VI0303009	Rondelle plate / Washer (Ø3).
18	VI04030002	Rondelle plate / Washer (Ø4).
19	VI04030003	Rondelle plate / Washer (Ø4).
20	VI08030006	Rondelle contact à picot / Contact washer (Ø8).
21	VI03010003	Vis / Screw (M3 x 6).
22	VI03010037	Vis / Screw (M3 x 4).
23	VI03010006	Vis / Screw (M3 x 8).
24	VI03010026	Vis / Screw (M3 x 6).
25	VI04010002	Vis sans tête à bout cuvette / Setscrew (M4 x 5).
26	VI03010027	Vis / Screw (M3 x 10).
27	VI04020017	Ecrou frein fendu / Locknut (M4).
28	DU30221957	Entretoise lisse / Spacer (Ø3x Ø4,9 L=2)
29	DU30221951	Entretoise lisse / Spacer (Ø8 x 4,2 L=2).
30	DU30222138	Colonnette / Spacer (M4, L=15).
31	IN75000004	Iris nu / Iris (Ø75).
32	CF00000004	Frein filet fort / Locking glue "LOCTITE" (Ref 270).



Position vis rep "4" pour Ø72 /
Rep "4" screw position for Ø72 :
1039 - 1439 - 1017 - 1019 - 1119 -
1149 & 1159.
Code RJ cassette complete /
Complete iris RJ code :
FPAIRIS019

mesures en mm / Measurements are in mm.

Le constructeur se réserve la possibilité de modifier ses matériels sans avis préalable. Les renseignements mentionnés sur cette notice sont donnés à titre indicatif et ne sauraient présenter de caractère contractuel.

Robert Juliat reserve the right to change or alter any of the items detailed on this notice to increase or improve manufacturing techniques without prior notice.

es en mm / Measurements are in mm.

LIAISON SECTEUR

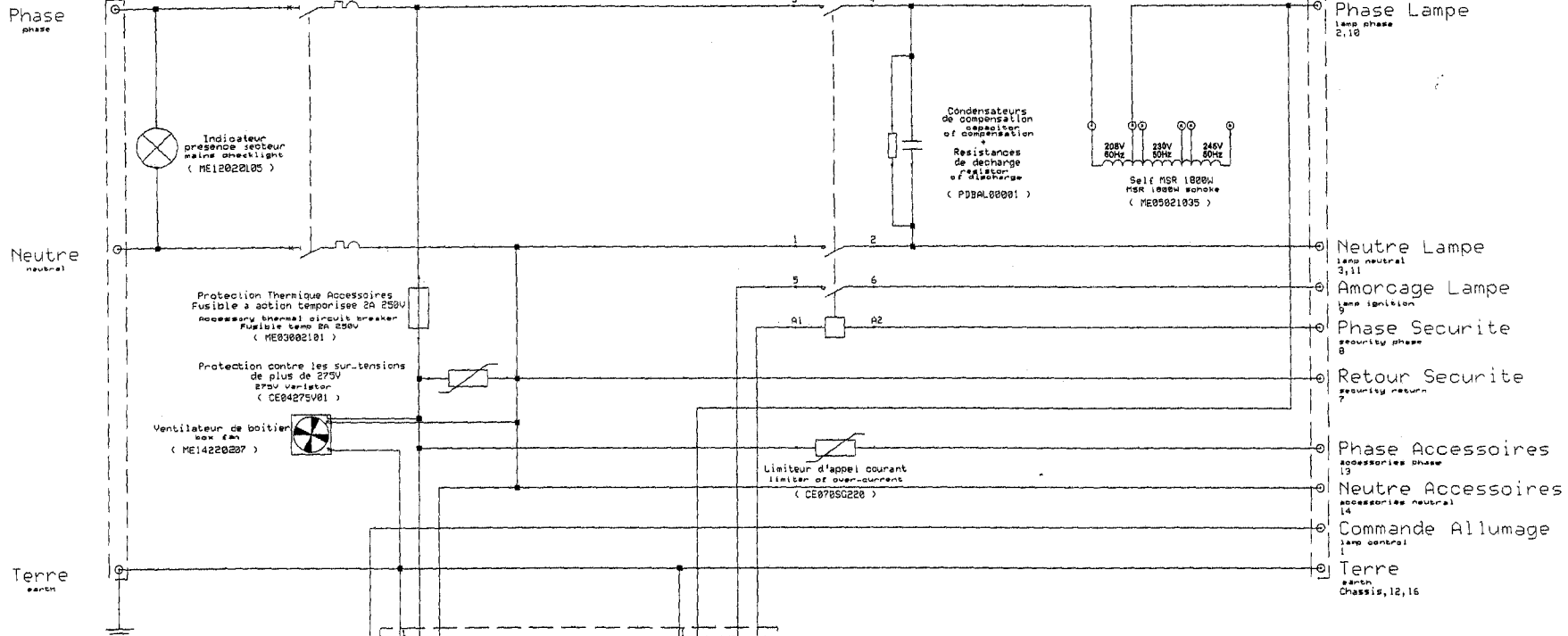
Main Connection
(COU8003266)

Protection Thermique Principale
bipolaire 15A Courbe C
main thermal circuit breaker
2-pole, 15A, C curve
(ME0101395)

Contacteur 16A
16A contactor
(ME09222002)

LIAISON PROJECTEUR

projector Connection
(COU8016201)



CARTE ALLUMAGE LAMPE
manual control card
(CC404412-2A1)

Bouton
button
ON / OFF
(ME04100016)

Compteur
hourly
meter
(ME12010201)

Rep	ref.BE	ref.siglog	DESCRIPTION	Dessiné par :	Index :	Date :	verifié par :
			ALIMENTATION SELFIQUE MSR 1800W "N.A." "N.A." MSR 1800W POWER SUPPLY UNIT SCHEMA DE PRINCIPLE GENERAL DIAGRAM			18-01/07	
				Nota :			Folio :
				RJ30920831			

Le plan appartient à la société Robert Juliat. La reproduction totale ou partielle sans accord spécifique est strictement interdite.

ROBERT JULIAT route de Beaumont F 94570 Fresnoy en Thelle tél.: +33(0)2.44.26.51.89 fax: +33(0)2.44.26.89.18 mail:bebec@rober-juliat.fr

RJ
PROJECTEURS POURSUITE MSR 1800W /
1800W MSR FOLLOW SPOTS
NOMENCLATURE PIÉCES DETACHÉES /
SPARE PARTS LIST.

Section C - 18

1159 / 1159 M

The right to change or alter any of the items detailed on this

Le constructeur se réserve la possibilité de modifier ses matériels sans avis préalable. Les renseignements mentionnés sur cette notice sont donnés à titre indicatif et ne sauraient présenter de caractère contractuel.



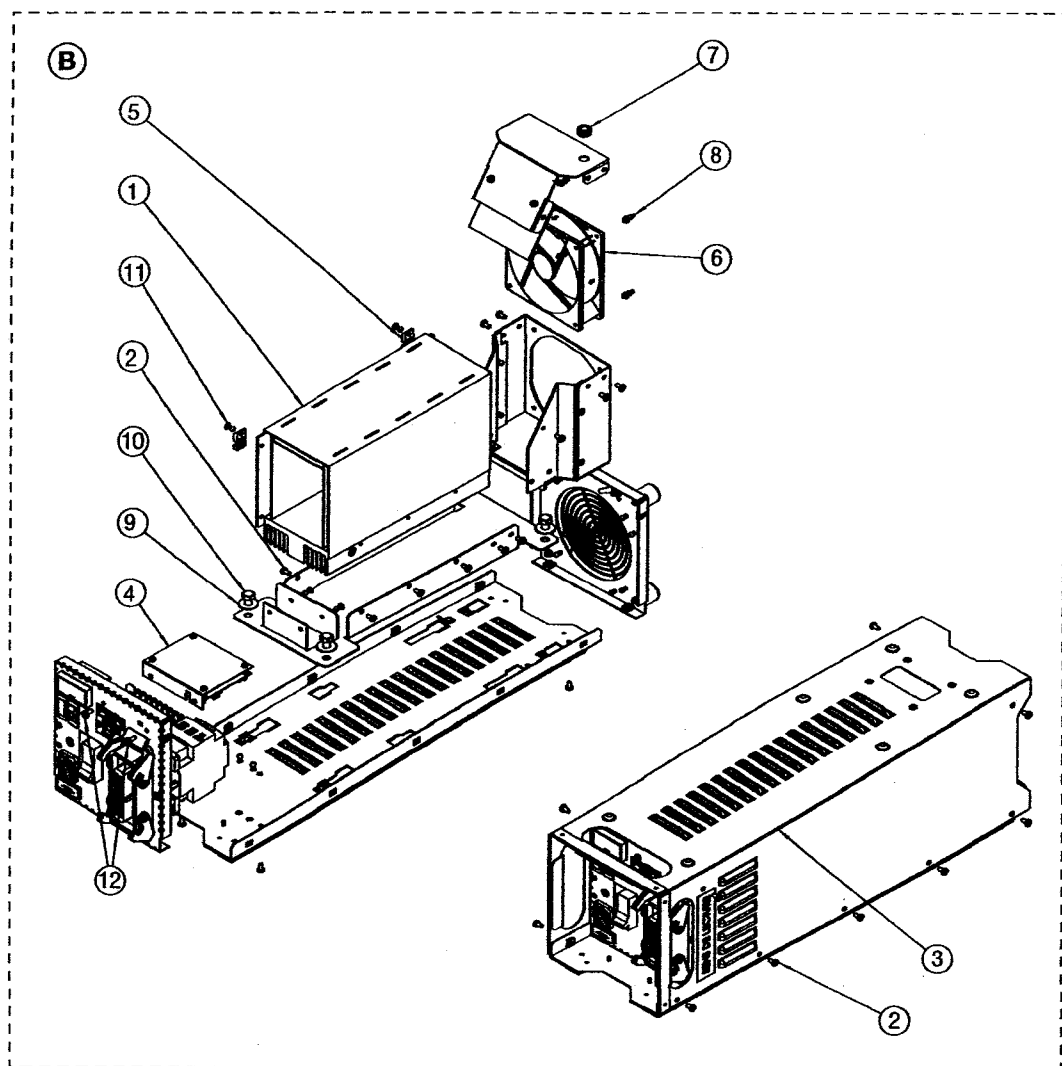
PROJECTEURS POURSUITE MSR 1800W / 1800W MSR FOLLOW SPOTS

1159 / 1159 M

NOMENCLATURE PIECES DETACHEES /
SPARE PARTS LIST.

Section C - 19

REP	CODE	DESCRIPTION
B	1800A07001	Alimentation électronique 1800W / 1800W Electronic Power Supply Unit (version CE).
1	ME05051008	Ballast Electronique 1800W / 1800W Electronic ballast.
2	VI04010012	Vis / Screw (M4 x 8).
3		Capot Complet / Complete cover.
4	CM40441201	Carte commande / Circuit control board.
5	ME11050201	Embase / Socket (13x24).
6	ME14024103	Ventilateur / Fan.
7	ME07080301	Passe fils / Wire protection (Ø8).
8	ME14000002	Fixation amortisseur / Fixing shock absorber.
9	VI08030005	Rondelle plate / Washer (Ø8).
10	VI08010001	Vis / Screw (H M8 x 16).
11	VI04040005	Rivet (TP MULTI Ø4 x 10).
12	VI04010019	Vis / Screw (M4x10).



Associated electrical diagram /
Plan électrique associé :
Section C - 20 & 21

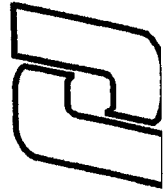
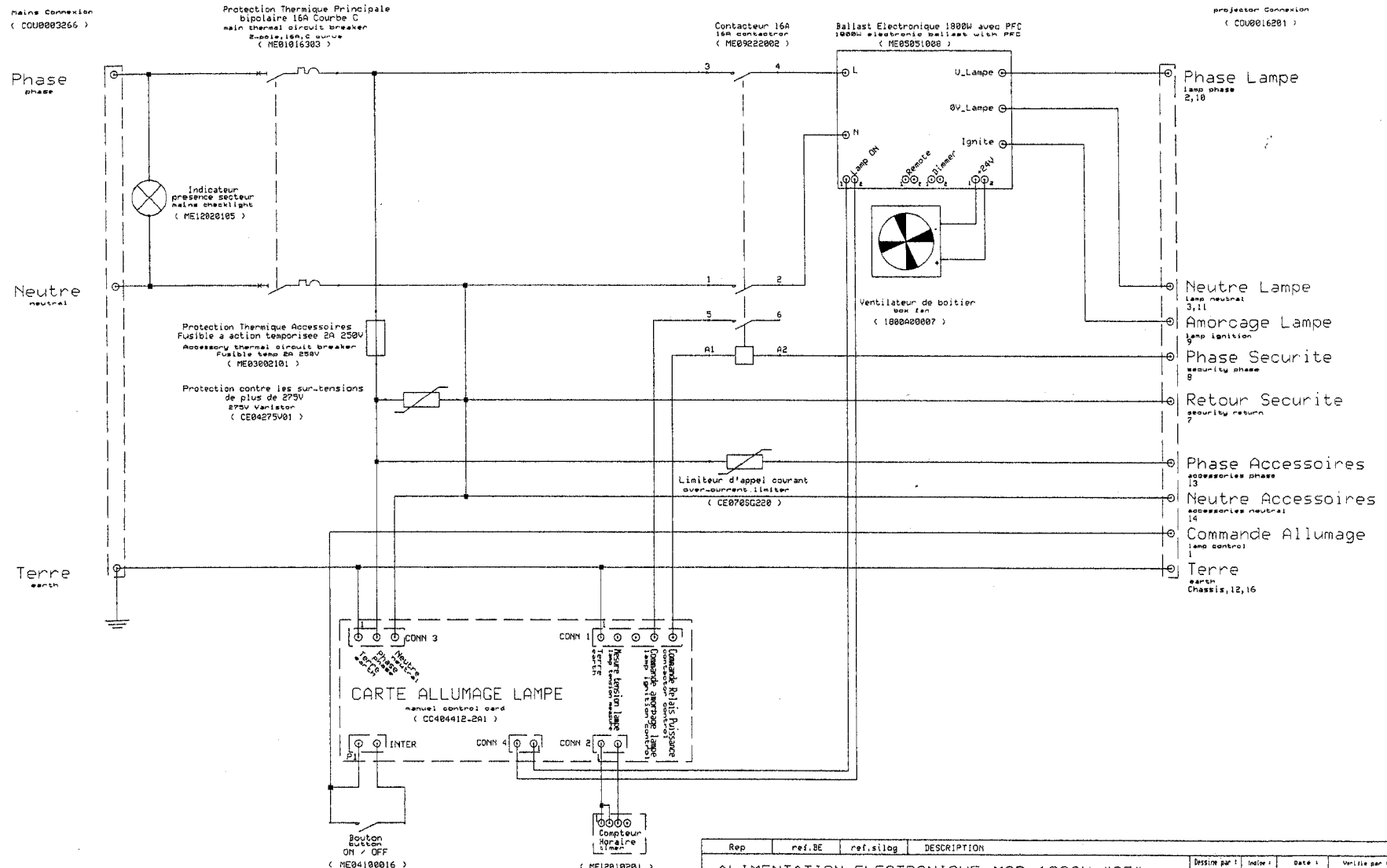
Measures in mm / Measurements are in mm.

Le constructeur se réserve la possibilité de modifier ses matériels sans avis préalable. Les renseignements mentionnés sur cette notice sont donnés à titre indicatif et ne sauraient présenter de caractère contractuel.

Robert Juliat reserve the right to change or alter any of the items detailed on this notice, to increase or improve manufacturing techniques without prior notice.

LIAISON SECTEUR

LIAISON PROJECTEUR



PROJECTEURS POURSUITE MSR 1800W / 1800W MSR FOLLOW SPOTS
 NOMENCLATURE PIÉCES DÉTACHÉES / SPARE PARTS LIST

1159 / 1159 M
 Section C - 20

Rep	ref.BE	ref.slog	DESCRIPTION	Dessiné par :	Inché :	Date :	Vérifié par :
			ALIMENTATION ELECTRONIQUE MSR 1800W "CE" "CE" MSR 1800W POWER SUPPLY UNIT SCHEMA DE PRINCIPE GENERAL DIAGRAM	JMH		18/01/07	
				Nota :			Folio :
				RJ30906231			

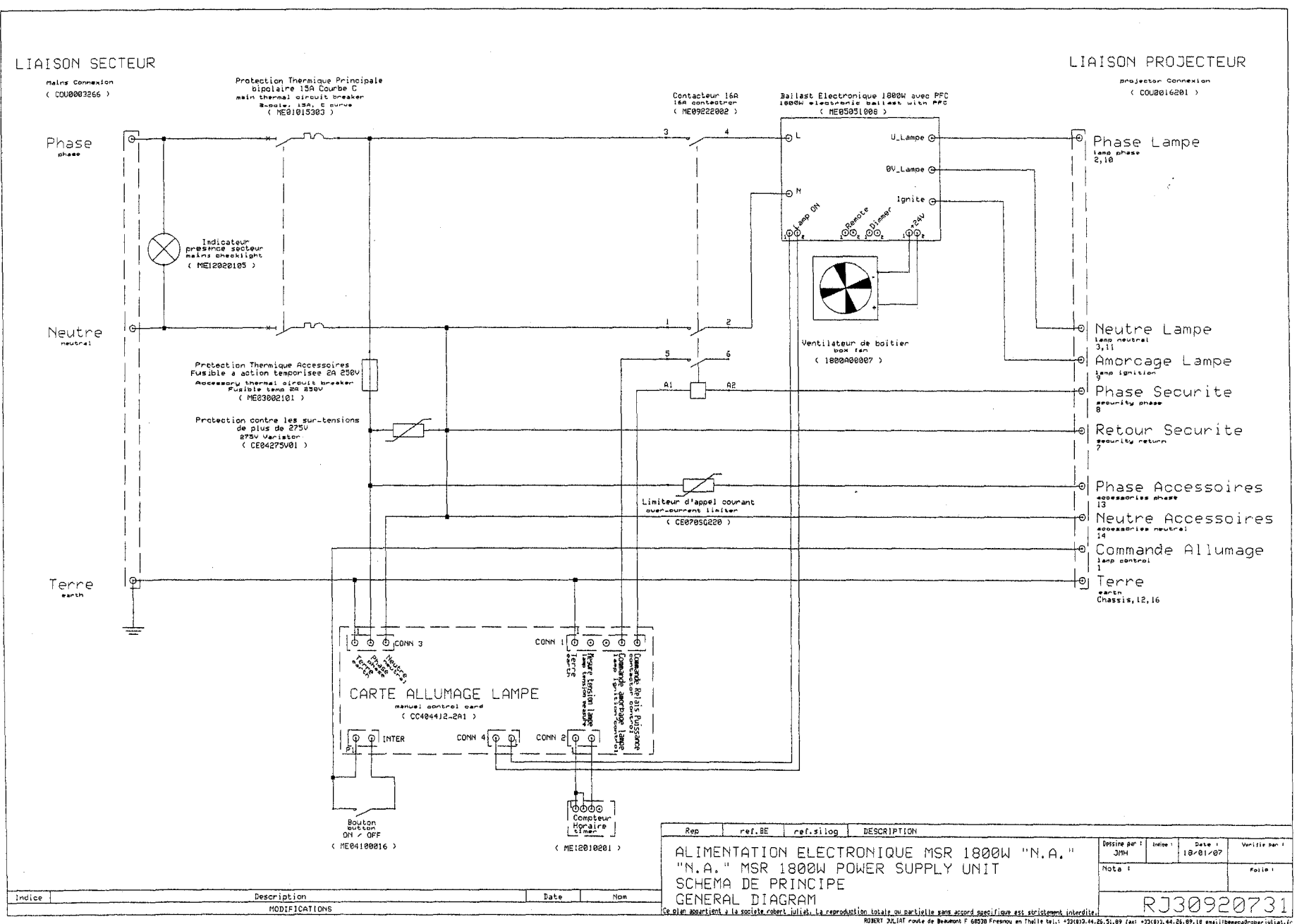
Indice	Description	Date	Non
MODIFICATIONS			

Ce plan appartient à la société Robert Juliat. La reproduction totale ou partielle sans accord spécifique est strictement interdite.
 ROBERT JULIAT - route de Beaumont F 60520 Fresnoy en Thelle tel. +33(0)3 44 26 51 89 fax +33(0)3 44 26 89 10 email:robert@robert-juliat.fr

Robert Juliat reserve the right to change or alter any of the items detailed on this page, to increase or improve manufacturing techniques without prior notice.

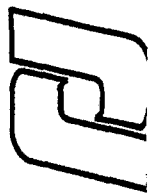
Le constructeur se réserve la possibilité de modifier ses matériels sans avis préalable. Les renseignements mentionnés sur cette notice sont donnés à titre indicatif et ne sauraient présenter de caractère contractuel.

Mesures en mm / Measurements are in mm.



Rep	ref. BE	ref. siglog	DESCRIPTION	Dessiné par :	Index :	Date :	Version :
			ALIMENTATION ELECTRONIQUE MSR 1800W "N.A." "N.A." MSR 1800W POWER SUPPLY UNIT SCHEMA DE PRINCIPE GENERAL DIAGRAM	JPM		18/01/07	
				Nota :			Folio :
				RJ30920731			

© et/ou appartenant à la société Robert Juliat. La reproduction totale ou partielle sans accord spécifique est strictement interdite.



PROJECTEURS POURSUITE MSR 1800W /
1800W MSR FOLLOW SPOTS
 NOMENCLATURE PIÉCES DÉTACHÉES /
 SPARE PARTS LIST.

1159 / 1159 M
 Section C - 21

Robert Juliat reserve the right to change or alter any of the items detailed on this page, to increase or improve manufacturing techniques without prior notice.

Le constructeur se réserve la possibilité de modifier ses matériels sans avis préalable. Les renseignements mentionnés sur cette notice sont donnés à titre indicatif et ne sauraient présenter de caractère contractuel.