

# Selecon

## PL PROFILE 1 MKII LED



The PLPROFILE1 MKII LED luminaire is a variable beam profile with precise beam control and pattern projection from a high output beam. An innovative combination of LED source technology and precision optical design, the PLPROFILE1 MKII luminaire delivers Selecon's industry benchmark projection quality in a compact, robust fixture.

A key benefit of the PLPROFILE1 MKII luminaire is that it is no longer necessary to change lamps or color filter. Combining the superior control and light quality of a Selecon Profile with seamless fading between colors allows designers a new level of creativity.

Less power consumption and no dimmer circuits makes the PLPROFILE1 MKII luminaire the obvious choice for pattern projection and stage washes.

The PLPROFILE1 MKII also hosts smart cable management with the inclusion of PLICB (PL Interconnect Box). The PLICB mounts to the luminaire's yoke, between the C-Clamp and the yoke and swivels independently to allow for the luminaire to move freely through its focus range with no need for a cable service loop. The PLICB allows for all of the luminaire's cabling with DMX and PowerCON in and through connections.

# Selecon

## PL PROFILE 1 MKII LED

### FEATURES

- Delivers the performance of a 500 Watt profile fixture with a maximum power consumption of 140 Watts
- Available in 18 to 34 or 24 to 44 degree beam angles
- Interchangeable lens tray between medium and wide versions
- Slot provided for iris, M-size pattern holder, or third party effect accessory
- Infinite color choices from the RGBW engine and color temperatures in white
- Homogenized fully mixed color output light, no multiple color shadows
- 50,000 hours of life expectancy
- Quick selection of Warm White, Cool White, and Daylight
- User defined on board presets states available to record your color composition
- Color presets simplifies matching existing light sources
- Constant color balance down to very low light levels irrespective of intensity setting
- DMX512 Input/Output with 8 or 16-bit resolution and a simple 5-channel control
- RDM controls and setup of fixture allows device settings to be configured remotely
- On-board LCD menu is updated for ease of luminaire set up and addressing
- No ultra-violet (wavelengths of less than 400nm) - for UVA, B or C or the Infrared spectrum (wavelengths of more than 775nm)
- Luminaire color: black
- Electronic universal power supply 100-240VAC
- PowerCON In and Through connectors (PLICB)
- cETLus listed, C-Tick, and CE marked (IP20 Rated)

### ADVANCED CONTROL

The PLPROFILE1 MKII LED luminaire has an on-board LCD menu system for luminaire setup, control, and addressing. The revised menu system is extremely user-friendly, offering all the configuration options within a few button presses, speeding up setup.

### CONSOLE CONTROL

All PLPROFILE1 MKII luminaires now have added support for Remote Device Management (RDM) and DMX512 control. A choice of 8 or 16 bit control resolution or new, simple, 5-channel control is available. Extended color and color temperature control is provided by either the Strand Lighting NEO or Palette families of control consoles to simplify programming and luminaire color matching.

# Selecon

## PL PROFILE 1 MKII LED

### PLPROFILE1 MKII LED ENGINE

The PLPROFILE1 MKII luminaire's powerful LED engine offers exceptional performance and life. Under normal operating conditions our LED engine has a life expectancy in excess of 50,000 hours, however under worse case operating conditions with the luminaire set to continuous full output, it is possible that a small percentage of LEDs may require replacement sooner. With the new LED engine, power consumption has been reduced by approximately 7%, while color consistency has been greatly improved, ensuring unit-to-unit matching of colors.

#### SOURCE

<b>Type</b>	True RGBW LED engine, using custom designed LED array
<b>Wattage</b>	120W

#### OPTICAL PERFORMANCE

<b>Output lumens</b>	>2000 (full RGBW white light)
<b>Output CRI</b>	>80 @4000K white LED only

#### BEAM

<b>Beam angle</b>	18°-34° or 24°-44° depending on lens option
-------------------	---

#### POWER

<b>Operating voltage</b>	100-240VAC
<b>Frequency</b>	50 / 60 Hz
<b>Max wattage</b>	140W
<b>Standby</b>	5W
<b>Current @ 120V</b>	1.2A
<b>Current @ 240V</b>	0.6A

#### DATA CONNECTIONS

<b>DMX512</b>	Input, output / thru
<b>AC power</b>	Input / output
<b>Multi-conductor</b>	Top box to luminaire connection
<b>Control</b>	On-board menu / DMX512 / RDM

#### PHYSICALS

<b>IP Rating</b>	IP20
<b>Finish</b>	Black
<b>Construction</b>	Machined aluminum, sheet metal, and molded engineering grade plastic components

#### ENVIRONMENT

	°C	°F
<b>Ambient temperature</b>	0-40	32-104

#### DIMENSIONS

	mm	in
<b>H x W x D</b>	324 x 330 x 825.5	12.75 x 13 x 32.5

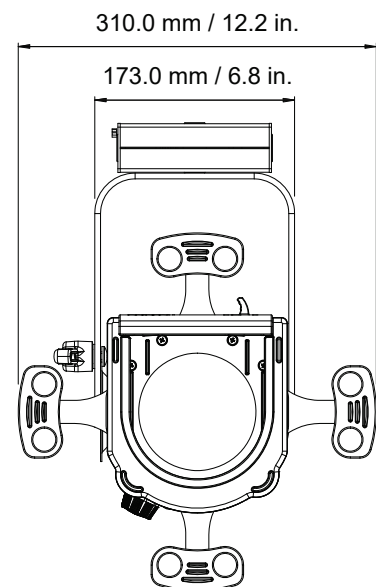
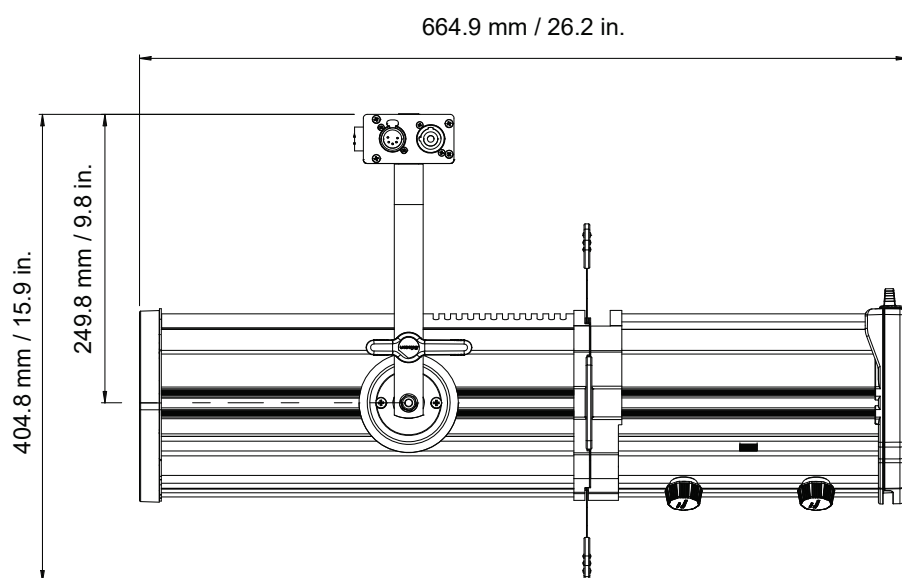
# Selecon

## PL PROFILE 1 MKII LED

WEIGHT		kg	lb
<b>Net weight</b>		10.0	22

WARRANTY & APPROBATIONS	
<b>Warranty</b>	2 years
<b>Approvals / Listings</b>	cETLus Listed, CE and C-Tick Mark



# Selecon

## PL PROFILE 1 MKII LED

PRODUCT NAME	ORDER CODE
18-34 Degree Zoomspot, Black, with Top Box (Interconnect) Assembly, SC C-Clamp, Safety Cable, and AC Input Cable	<b>PLZS1MKII-1834-03</b>
24-44 Degree Zoomspot, Black, with Top Box (Interconnect) Assembly, SC C-Clamp, Safety Cable, and AC Input Cable	<b>PLZS1MKII-2444-03</b>
<b>ACCESSORIES - ZOOMSPOT LENSES</b>	
Acclaim Axial Zoomspot 18-34 Degrees Lens Tray, Black	<b>15ACAX1834LT</b>
Acclaim Axial Zoomspot 24-44 Degrees Lens Tray, Black	<b>15ACAX2444LT</b>
<b>ACCESSORIES - CLAMPS</b>	
Selecon Molded Yoke Rated C-Clamp	<b>SC</b>
Mega Claw, Black Anodized	<b>MC</b>
<b>ACCESSORIES - TOP BOX ASSEMBLY</b>	
Spare Top Box (Interconnect) Assembly	<b>PLICB</b>
<b>ACCESSORIES - AC POWER INPUT CABLES</b>	
39 inches / 1 meter, PowerCON without AC connector (bare end)	<b>PC1BE</b>
39 inches / 1 meter, PowerCON with Stagepin connector	<b>PC1GP</b>
39 inches / 1 meter, PowerCON with Twistlock Connector	<b>PC1GTL</b>
39 inches / 1 meter, PowerCON with Edison Connector	<b>PC1GR</b>
<b>ACCESSORIES - AC INTERCONNECT CABLES</b>	
PowerCON Male to PowerCON Female 2.5 Meter Cable for interconnection between units	<b>PC3PC</b>
<b>ACCESSORIES - LUMINAIRE SOFTWARE UPLOADER CABLE</b>	
USB Luminaire Software Programming Kit (for updating luminaire firmware) - includes USB Upload Cable, QuickStart Guide, and Carry Bag	<b>PEGASUS</b>

© 2018 Signify Holding. All rights reserved.

All trademarks are owned by Signify Holding or their respective owners. The information provided herein is subject to change, without notice. Signify does not give any representation or warranty as to the accuracy or completeness of the information included herein and shall not be liable for any action in reliance thereon. The information presented in this document is not intended as any commercial offer and does not form part of any quotation or contract, unless otherwise agreed by Signify. Data subject to change.

Ref: PLZS1MKII-1834-03-100-00